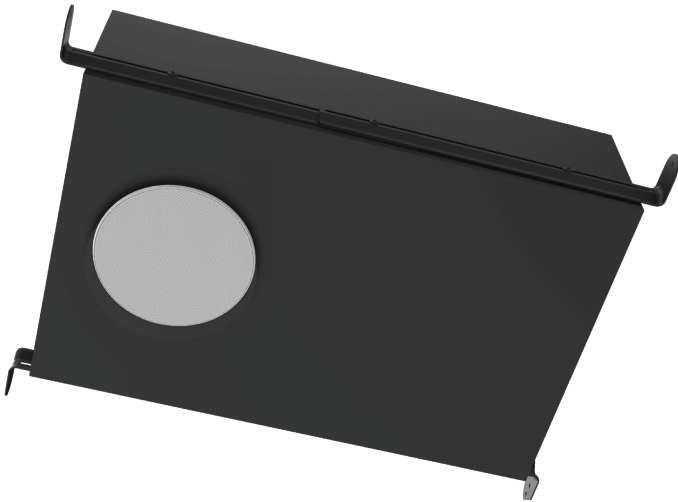




DSUB6X2

SUBWOOFER FOR DIRECTOR 5", 6", 8" SPEAKER SERIES



INSTALLATION MANUAL



Table of Contents

| | |
|---|----|
| 1. Introduction | 1 |
| 2. DSUB6X2 Specifications | 2 |
| 3. What's Included | 3 |
| 4. Required Tools | 3 |
| 5. DSUB6X2 Accessory Kit Overview | 4 |
| 6. Typical Parts Order | 4 |
| 7. DSUB6X2 Mounting Steps | 5 |
| 8. Example 8 Ohm Wiring Configuration | 16 |
| 9. Troubleshooting | 17 |
| 10. Technical Assistance | 18 |
| 11. Warranty Coverage - 5 Year Limited Warranty | 19 |
| 12. Return Process | 20 |



1. Introduction

Thank you for choosing the Origin DUB6X2 Subwoofer, built to enhance the listening experience of our Director Collection™ 5", 6" or 8" Series Speakers.

The 5" grille options blend into the ceiling seamlessly, alongside the 5" Director Speaker grilles, for that sophisticated uniform look to match designer lighting.

Alternatively, the provided 6/8" Grille Adapter and 6/8" Grilles, offers the flexibility for pairing with 6" or 8" Series Speaker grilles, allowing extra bass to be installed into small ceiling spaces.

This instruction booklet cover the necessary information for a smooth installation, including: the tools you will need, step-by-step instructions for installation, troubleshooting tips for any errors that may occur, and all warranty information. If for any reason you experience problems or if you have installation questions please call us at (844) 674-4461. Hours of operation are 8:00am to 5:00pm (Pacific Time), Monday through Friday.

2. DSUB6X2 Subwoofer Specifications

Fits 5" and 6" or 8" Director Series Speaker Griles.

| | |
|--------------|------------------|
| MODEL | DSUB6X2 |
| PART | DSUB6X200 |
| Height | 7" (177 mm) |
| Width | 14" (356 mm) |
| Length | 22" (559 mm) |
| Weight | 29.5lbs (13.4kg) |

SPECIFICATIONS

System Type

Driver Components

Crossover

Frequency Response

Maximum SPL @ 1m

Sensitivity, 2.83V/1m

Power Handling

Recommended Amp Power

Rated Impedance

Input Connectors

Enclosure

Mounting

DSUB6X2

Three Chamber Bandpass Vibration Canceling,
In-Ceiling Subwoofer

Two 6.5" Poly Cone Subwoofers

Recommended LPF 150Hz or less

24 dB BW

32Hz - 180Hz [- 10 dB]

40Hz - 150Hz [+/- 3 dB]

111 dB Continuous, 114 dB Peak

90 dB

60W Pink Noise / 120W Program / 240W Peak

50 - 250 Watts (FCT) @ 4Ω

6Ω

Gold Plated Spring Push Terminals

MDF

Overlapping Formed Steel Straps,

Adjustable from 14.5" – 22.5"

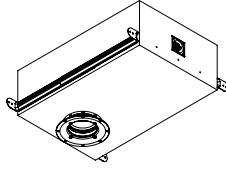
*All product specifications are subject to change. Please refer to the dealer portal for the latest information.

3. What's Included



Start Guide

+



DSUB6X2

+

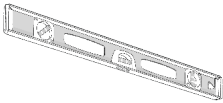


Cut Out Template

+



4. Required Tools



Level



Drill

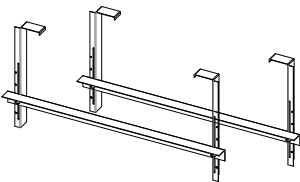


Screwdriver



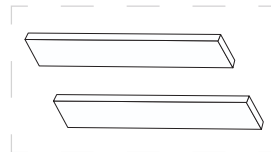
8 x Drywall Screws

(to secure Subwoofer rails to joists)



MOS36MNT

OR



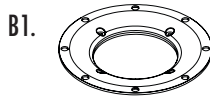
2 [Two] x Wooden Support Pieces
with 4 [Four] x Drywall Screws
(Wood Dimensions: 2" x 4" or 1" x 4")

5. Accessories Kit Overview

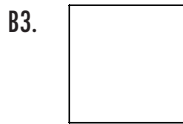
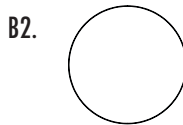
A. SPACERS



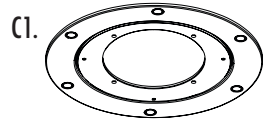
B. 5" EXIT FLANGE



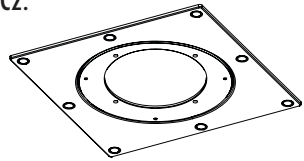
B. 5" GRILLES



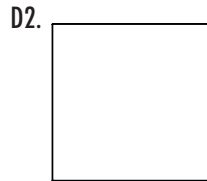
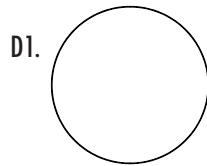
C. 6/8" ADAPTER RINGS



C2.



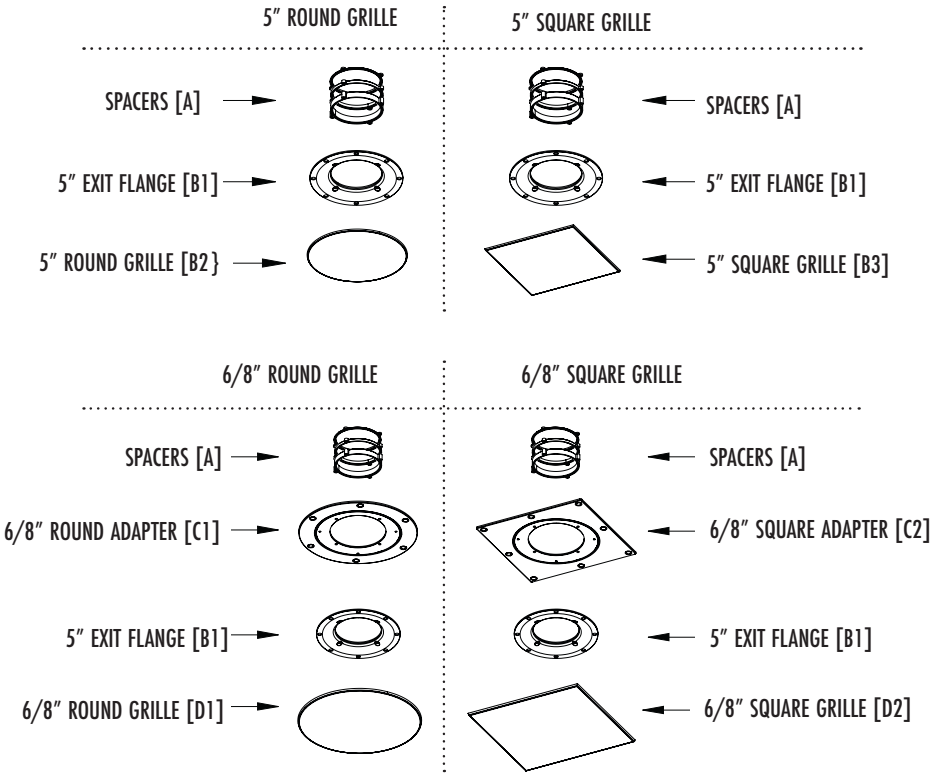
D. 6/8" GRILLES



D. 4 x SCREWS TO INSTALL FLANGE & SPACERS (PHILLIPS PAN HEAD SCREWS)

E. 12 x SCREWS TO INSTALL RAILS (M4 X 22mm)

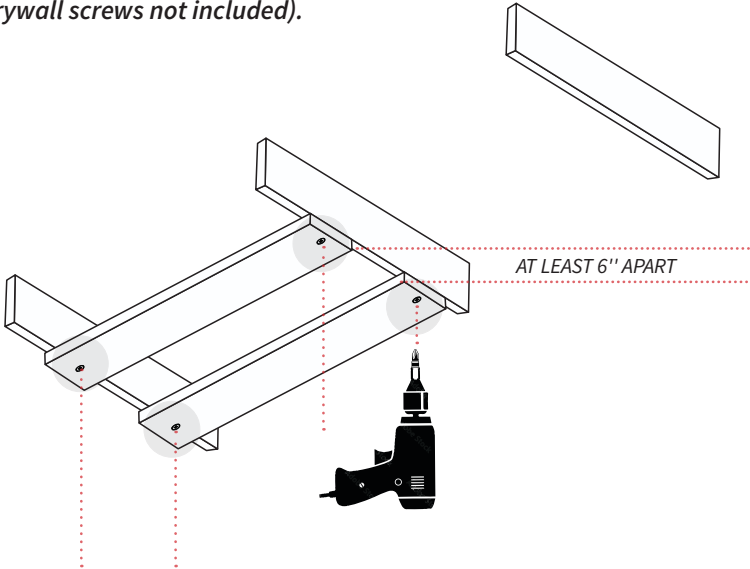
6. Typical Parts Order



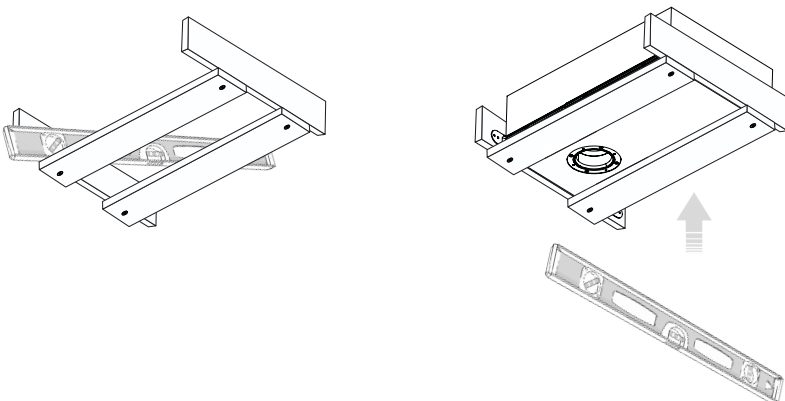
7. DSUB6X@ Mounting Steps

A. Mount temporary holders to ceiling joists.

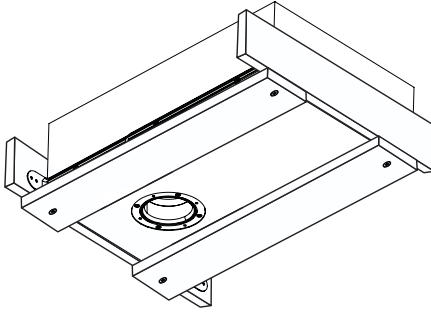
Cut a couple of 2" x 4"s or 1" x 4"s, a few inches wider than the ceiling joists. Then with a couple of drywall screws, mount the temporary holders to the joists. *(Drywall screws not included).*



These temporary holders will help you hold up the DSUB6X2, and make the speaker mount flush to the future drywall. Using a level, check that your temporary holders are evenly level, adjusting as needed.



B. Adjust the rails, as necessary, to fit ceiling joists.

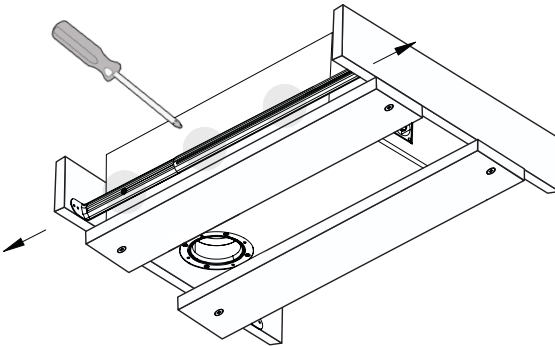


Place MOS36SUB in desired final location.

Ensure the rail ends are turned outwards.

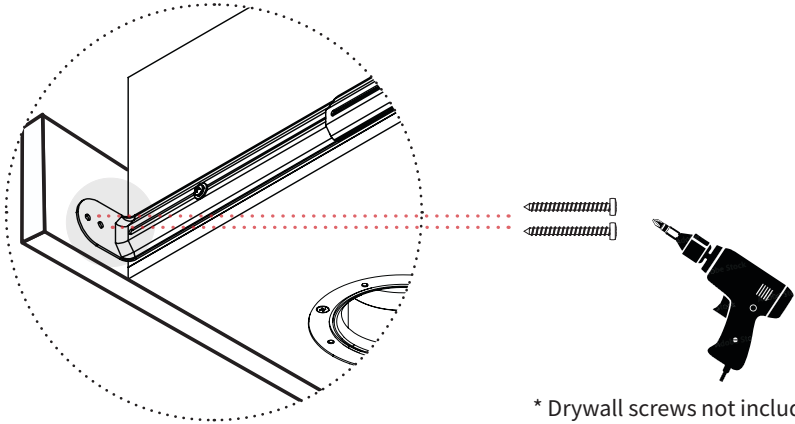
Then, using a Phillips screwdriver, loosen the screws on each side of the system rails, and extend them so they reach the ceiling joists. Afterwards, make sure to re-tighten screws once the rail length matches the ceiling joists.

NOTE: The cabinet also has screw openings on the short sides so you can move the rails from the long side to the short sides for tight space installations.

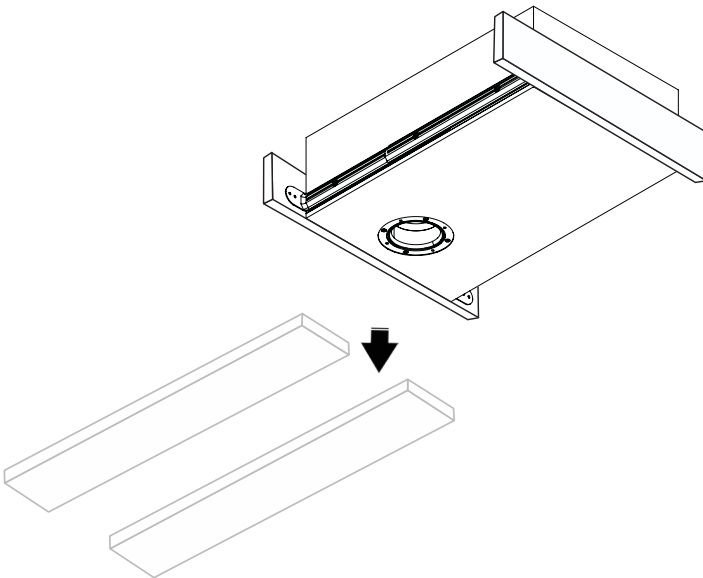


C. Securely fix the rail brackets to the joists.

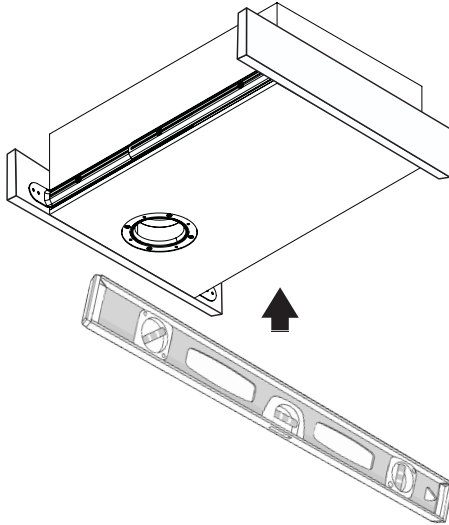
Use a drill and drywall screws* to secure the rail brackets to the joists. Ensure each the screws on each side of the rails are evenly inserted, for a level positioning.



D. Remove the temporary wood supports from the joists.

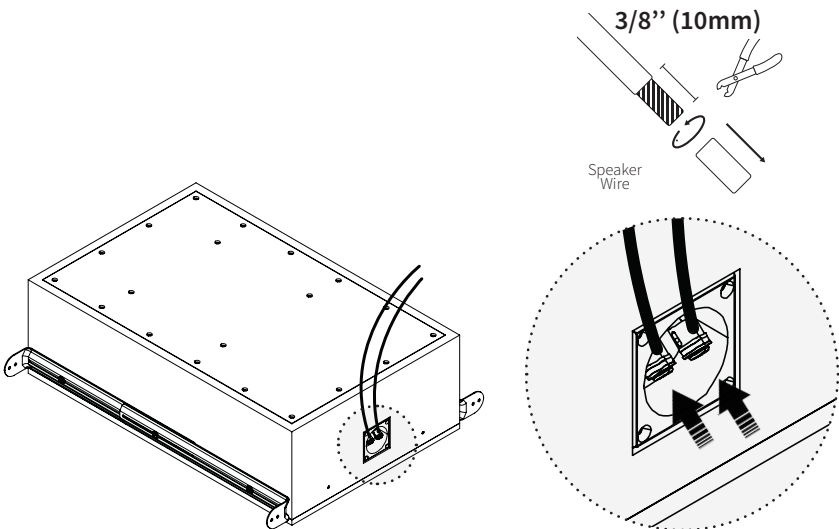


E. Ensure the face of the speaker is plumb with the joists.



F. Speake wire connection:

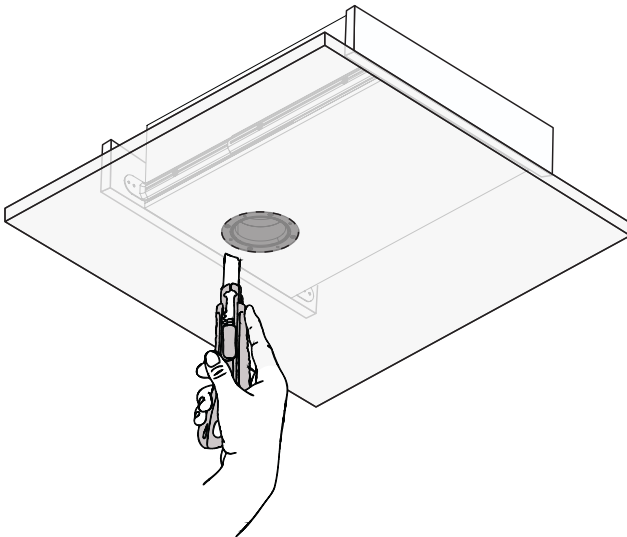
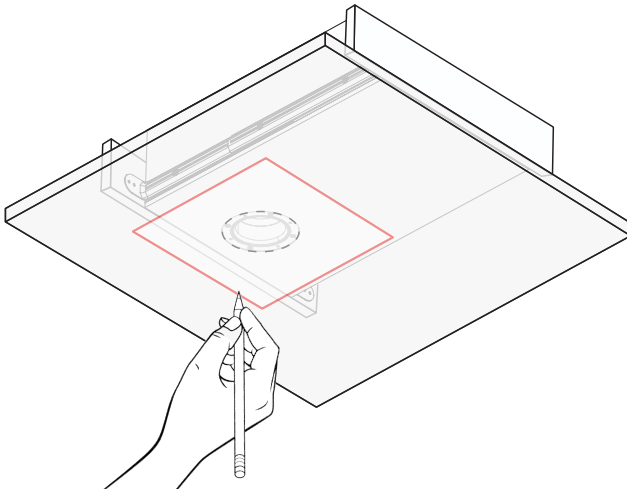
To connect the speaker wire, strip approximately 3/8" (10mm) of the insulation off each wire, and to avoid stray strands, twist them at the end. To connect the ceiling speaker wire to the Terminal Connector on the Subwoofer module, push down on each connector, and insert each wire into the opening with the correct polarity.



G. Ceiling Cut-Out Steps

Use the provided cut-out template to mark the cut-out for the Port Tube Exit on the drywall/ surface material.

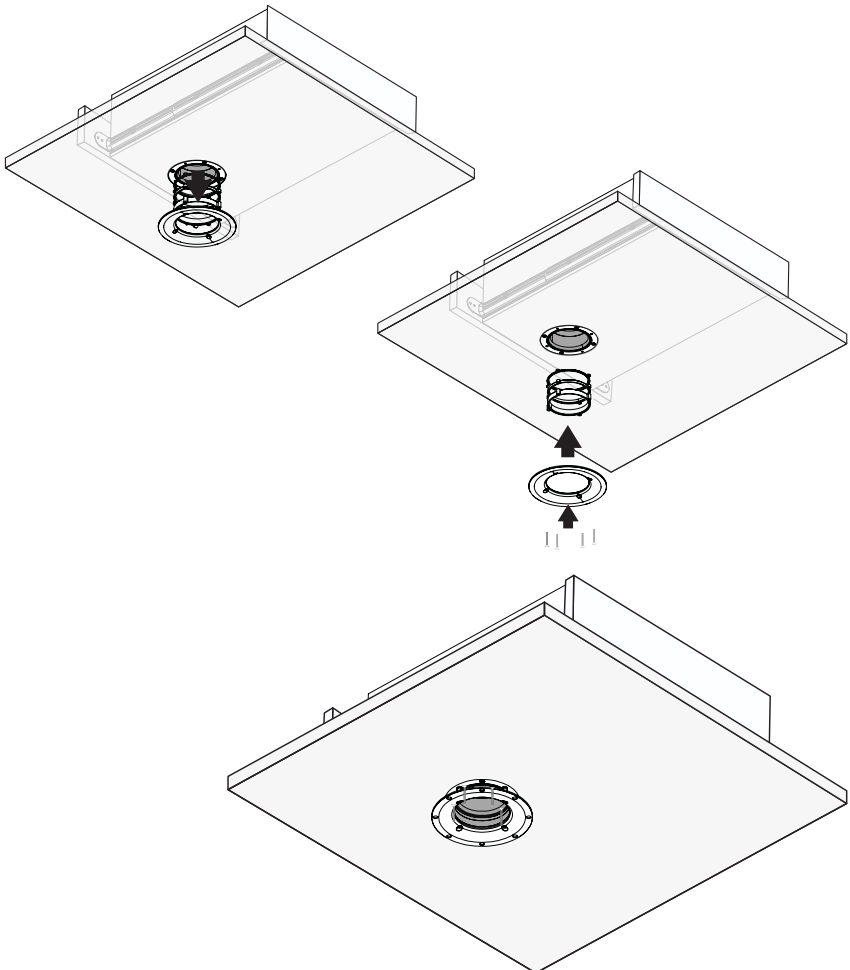
Trace along the inside of the Cut-Out Template, then use a keyhole or drywall saw to cut out the hole.



H. Installation Steps for 5” Director Grille (GR5/GR5SQ)

If using a **GR5** or **GR5SQ GRILLE**:

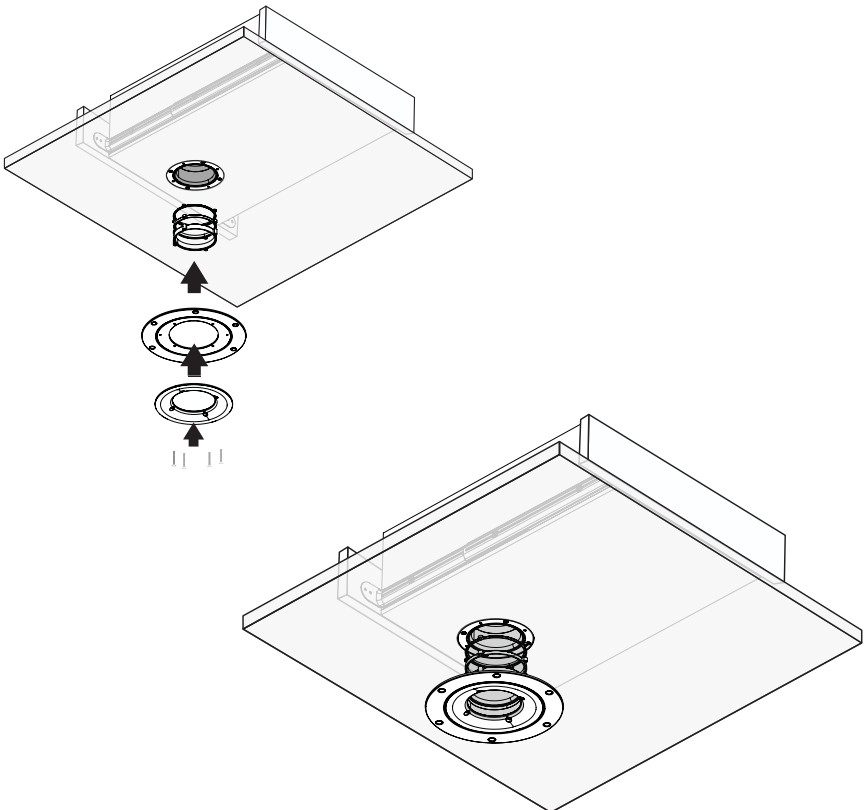
- First, attach the necessary number of spacers, according to the ceiling thickness, so that the Port Tube Exit can reach the edge of the drywall/ sheetrock of the ceiling.
- Pass the **PORT TUBE EXIT** through these **SPACER RINGS**, and fully secure the attached **PORT TUBE EXIT & SPACER RINGS** into the **5” PLASTIC PORT TUBE EXIT FLANGE**, using the **4 x Phillips Panheadscrews provided**, and the **4 SCREW HOLES** from the **FRONT**. Screw into place.



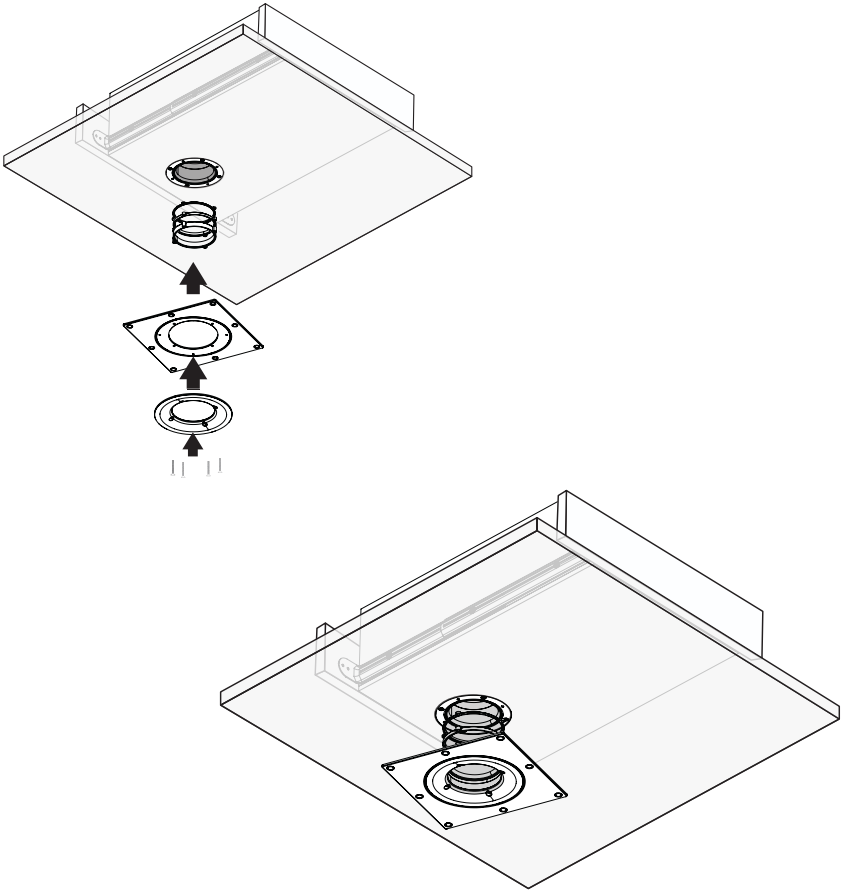
I. Installation Steps for 6/8” Director Grille (GR68/GR68SQ)

If using a **GR68** or **GR68SQ GRILLE**:

- First, attach the necessary number of spacers, according to the ceiling thickness, so that the Port Tube Exit can reach the edge of the drywall/ sheetrock of the ceiling.
- Fit the **5” PLASTIC PORT TUBE EXIT FLANGE** into the front inlay space on the face of the corresponding **6/8” METAL ROUND/SQUARE GRILLE ADAPTER**.
- Then, use the **4 SCREW HOLES** from the **FRONT**, and the **4 x Phillips Pan-headscrews provided**, to fully secure the **5” PLASTIC PORT TUBE EXIT FLANGE** into the attached **6/8” ROUND/SQUARE GRILLE ADAPTER**, then into the **PORT TUBE EXIT, AND SPACER RINGS**. Screw into place.



- If using the 6/8" SQUARE GRILLE ADAPTER, ENSURE THAT THE ROTATION IS AILING TO SURROUNDING SQUARE GRILLES, OR THE WALL.

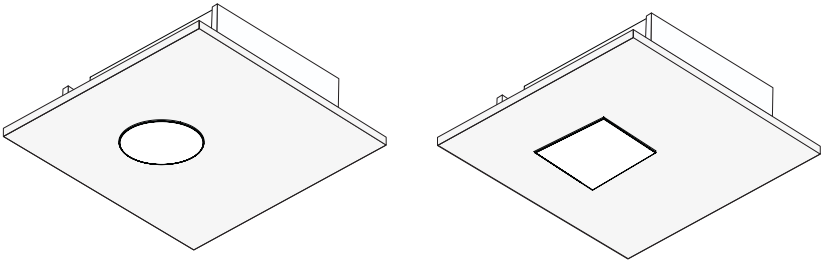


J. Testing the Subwoofer

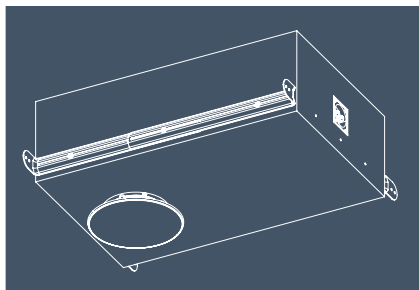
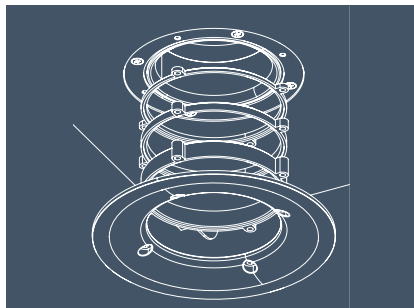
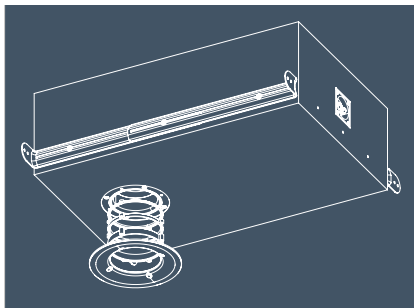
It is best to test the unit, before plaster work is performed. Securely connect the wires from the DSUB6X2 to the amp, for a sound test.

K. Adding the Grille

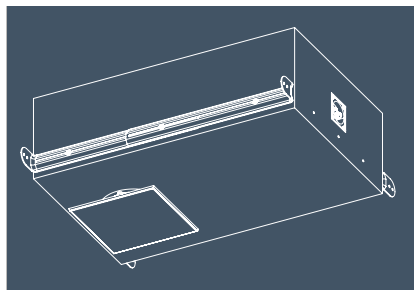
To complete the installation, attach the corresponding magnetic 5” or 6/8” Round or Square Grille of your choice. The grille can be spray painted to better match the ceiling color and environment, prior to being attached.



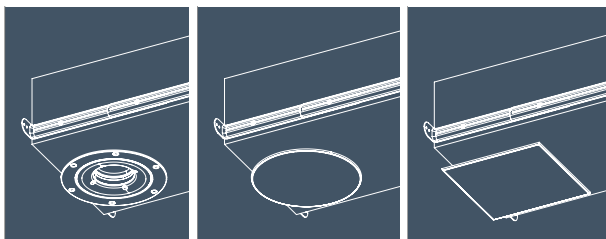
L. Final Overview



WITH 5" ROUND GRILLE



WITH 5" SQUARE GRILLE

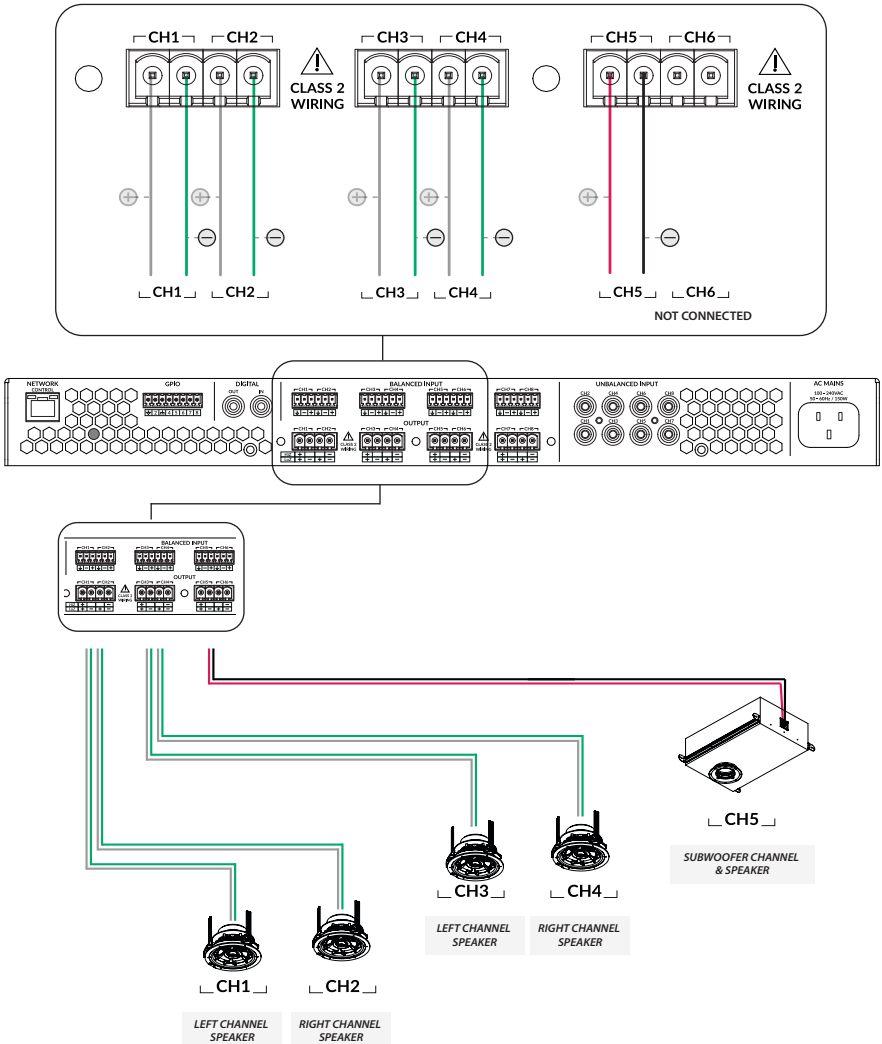


WITH 6/8" ROUND GRILLE ADAPTER

8. Example 8 Ohm Wiring Configuration

EXAMPLE CONFIGURATION:

- 1 x DSUB6X2 Subwoofer
- 4 x Director Speakers
- 1 x DSP60.8 Amplifier
- 2 Conductor Wire



9. Troubleshooting

If possible, it's often good to try to isolate the problem first. For example, if you're playing a DVD on a television and there's no sound, try connecting an MP3 player to the system to see if that works. If it does work, then the problem is with the television, DVD player, or the cables connecting them. If it doesn't work, the problem will be with the amplifier, speakers, or those cables.

| Problem | Possible Cause |
|---------------------------|--|
| No Sound | The volume may be turned down or muted. Check the volume settings on both the amplifier and the television/computer/CD player/etc. |
| No Sound | Make sure the proper source is selected on the amplifier or receiver. |
| No Sound | Check the cord connecting the amplifier with the source. The cord may be damaged or plugged into the wrong input or output. |
| No Sound | Check the wires connecting the amplifier with the speakers. Make sure they're connected properly and not damaged in any way. |
| Poor Sound Quality | If you hear something like static, or the sound is cutting in and out, check the audio cables. If the problem increases when a cable is being moved, then the cable is most likely faulty or not connected properly. |
| Poor Sound Quality | Today's audio systems may have several places to adjust the volume, for example your MP3 player may have a volume control, and your amplifier may also have one. Check to be certain that the volume isn't turned up past 80% on any device. |
| Poor Sound Quality | Try changing sources to be certain that the selection you've chosen is a good quality recording. |

10. Technical Assistance

If you have any questions or concerns about installing or using this product, you can reach us through one of the following methods:

Phone: (844) 674-4461

Hours of operation: 8:00am - 5:00pm (Pacific Time), Mon - Fri

Email: sales@originacoustics.com

If you are having technical trouble, please include the model number and briefly explain what steps you took to resolve the problem in your email, or be prepared to answer these questions over the phone. If you are considering returning the product, it's required that you contact Origin Acoustics prior to any return attempts. This way we can determine if the issue can be resolved without returning the product, or if needed we can provide instructions and support for the return process.

11. Warranty Coverage - 5 Year Limited Warranty

Origin Acoustics warrants to the original retail purchaser only that for a period of Five (5) years from the original date of purchase. This Origin Acoustics product will be free from defects in materials and workmanship, provided the speaker was purchased from an Origin Acoustics authorized dealer.

If the product is determined to be defective, it will be repaired or replaced at Origin Acoustics' discretion. If the product must be replaced yet it is no longer manufactured, it will be replaced with a model of equal to or greater value that is the most similar to the original. If this is the case, installing the replacement model may require mounting modifications; Origin Acoustics will not be responsible for any such related costs.

Requirements & Warranty Coverage

This warranty may not be valid if the product was purchased through an unauthorized dealer. This warranty only applies to the individual that made the original purchase, and it cannot be applied to other purchases. The purchaser must be prepared to provide proof of purchase (receipt). This warranty will not be valid if the identifying number or serial number has been removed, defaced, or altered.

***All warranties and warranty conditions are subject to change. Please refer to www.originacoustics.com for the latest information.**

Not Covered by Warranty

- Accidental damage
- Damage caused by abuse or misuse
- Damage caused by attempted repairs/modifications by anyone other than Origin Acoustics or an authorized dealer
- Damage caused by improper installation
- Normal wear, maintenance, and environmental issues
- Damage caused by voltage inputs in excess of the rated maximum of the unit
- Damage inflicted during the return shipment

12. Return Process

Before making any return attempts, it is required that you first contact Origin Acoustics. Return product to Origin Acoustics or your dealer, either in person or by mail. It's preferable if the product is returned in the original packaging. If this isn't possible, the customer is responsible for insuring the shipment for the full value of the product.

This warranty is in lieu of all other expressed or implied warranties. Some states do not allow limitations on implied warranties, so this may not apply depending on the customer's location. (For more information, see Magnuson-Moss Warranty Act.)

NOTES



01-21-25

6975 S Decatur Blvd, Las Vegas, NV 89118 • www.originacoustics.com • 844-674-4461

©2025 Origin Acoustics. All copyrighted, trademarked and patented elements mentioned herein are the sole property of Origin Acoustics.