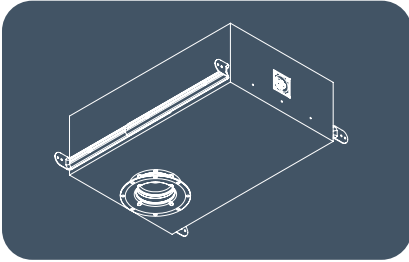


DSUB6X2 IN-CEILING SUBWOOFER

PAIRS WITH 5", 6" & 8" DIRECTOR SERIES SPEAKER GRILLES



MODEL	DSUB6X2
PART	DSUB6X200
Height	7" (177 mm)
Width	14" (356 mm)
Length	22" (559 mm)
Weight	29.5lbs (13.4kg)

SPECIFICATION

DSUB6X2

System Type	Three Chamber Bandpass Vibration Canceling, In-Ceiling Subwoofer
Driver Components	Two 6.5" Poly Cone Subwoofers
Crossover	Recommended LPF 150Hz or less 24 dB BW
Frequency Response	32Hz - 180Hz [- 10 dB] 40Hz - 150Hz [+/- 3 dB]
Maximum SPL @ 1m	111 dB Continuous, 114 dB Peak
Sensitivity (2.83V/1m)	90 dB
Power Handling	60W Pink Noise / 120W Program / 240W Peak
Recommended Amp Power	50 - 250 Watts (FCT) @ 4Ω
Rated Impedance	6Ω
Input Connectors	Gold Plated Spring Push Terminals
Enclosure	MDF
Mounting	Overlapping Formed Steel Straps, Adjustable from 14.5" - 22.5"

Please visit docs.originacoustics.com or scan this QR code using your smart device for the most up to date safety information and use instructions for this product.

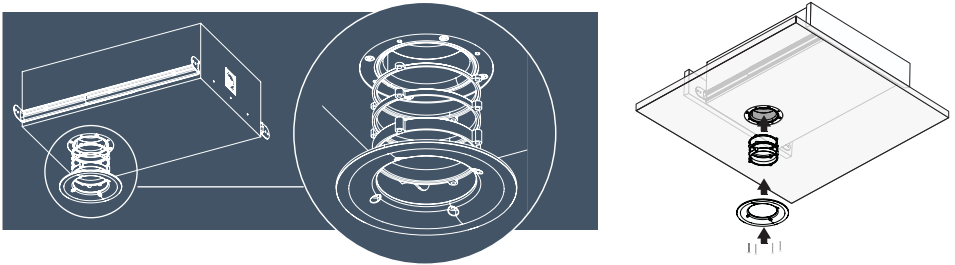


*All warranties and warranty conditions are subject to change. Please refer to docs.originacoustics.com for the latest information.

Scan the QR Code on the reverse of this page for full instructions for this product.

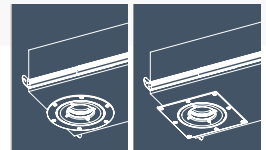
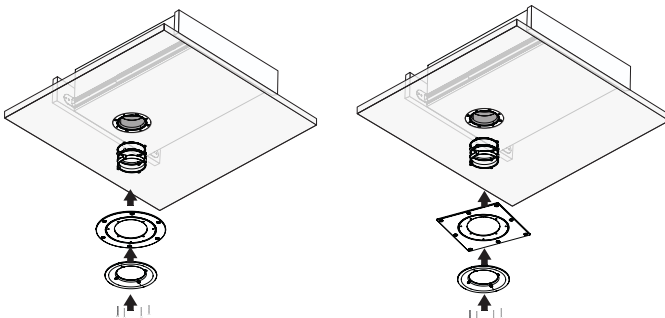
1. If using a **GR5** or **GR5SQ GRILLE**:

- First, attach the necessary number of spacers, according to the ceiling thickness, so that the Port Tube can reach the edge of the drywall/ sheetrock of the ceiling.
- Pass the **PORT TUBE EXIT** through these **SPACER RINGS**, and then fully secure the attached **PORT TUBE EXIT** and **SPACER RINGS** into the **5" PLASTIC PORT TUBE EXIT FLANGE**, using the **4 x Phillips Panheadscrews provided** and **4 SCREW HOLES from the FRONT**.
- Attach the 5" RD or SQ Grille.

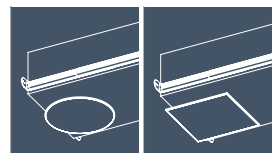


2. If using a **GR68** or **GR68SQ GRILLE**:

- First, attach the necessary number of spacers, according to the ceiling thickness, so that the Port Tube can reach the edge of the drywall/ sheetrock of the ceiling.
- Fit the **5" PLASTIC PORT TUBE EXIT FLANGE** into the front inlay space on the face of the corresponding **6/8" ROUND/SQUARE GRILLE ADAPTER**.
- Then, use the **4 x Phillips Panheadscrews provided**, and the **4 SCREW HOLES from the FRONT**, to fully secure the **5" PLASTIC PORT TUBE EXIT FLANGE** into the attached **6/8" ROUND/SQUARE GRILLE ADAPTER**, then into the **PORT TUBE EXIT** and **SPACER RINGS**. Screw into place.
- If using the **6/8" SQUARE GRILLE ADAPTER**, ENSURE THAT THE ROTATION IS AILING TO SURROUNDING SQUARE GRILLES, OR THE WALL.
- Attach the 6/8" RD or SQ Grille.



6/8" ROUND/ SQUARE GRILLE ADAPTER



6/8" ROUND/ SQUARE GRILLES