



PSUB10X2 SUBWOOFER

PROFESSIONAL GRADE

Equipped with two 10" dual voice coil, Honeycomb Glass Fiber woofers, the bass boosting PSUB10X2 In-Ceiling Subwoofer is the ideal complement to the Origin PRO Professional Series speakers (In-Ceiling, Pendants, and Surface Mounts). Specifically engineered to provide a harmonious, powerful low-end, it generates the ideal sound combination for our Professional range of speakers.



PSUB10X2:
POSITION A CABINET MOUNTING



PSUB10X2:
POSITION B CABINET MOUNTING

THE SIMPLEST INSTALL

The PSUB10X2 Subwoofer is expertly designed to uniquely ensure a simple, seamless installation. It offers dual mounting options for extra versatility, resulting in the ability to aesthetically hide the mounted subwoofer and boost the low-end without disrupting interior design.

ULTIMATE MOUNTING VERSATILITY

The port itself can be easily repositioned to either the longer side or shorter end of the cabinet, in combination with a 2-position bracket, to facilitate multiple placement and orientation options.

Select from a wide array of sonically advantageous install arrangements, for a tailored install, with best positioning for maximum impact, depending on the needs of the space:

Floor-mounted, or ceiling mounted between joists? Simply placed beneath bench seating? Hidden within cabinetry? Elevated using the included surface mounts or with suspension cables and integrated M10 fly points? Choose the best for your project.



PSUB10X2 SUBWOOFER

RECOMMENDED AMP

Pair the PSUB10X2 Subwoofer with an Origin PRO ProA Amplifier for the optimal sound experience, with both High-Z or Low-Z system flexibility.

SPECIFICATIONS

PSUB10X2

Part	PSUB10X200
System Type	Dual 10" Bandpass Surface Mount Subwoofer
Driver Components	2 x 10" Low Profile, Dual Voice Coil, Rigid Flat Honeycomb Glass Fiber Cone Woofers
Crossover	Recommended LPF = 120Hz, 24dB, Butterworth
Frequency Response	30Hz-160Hz (-10dB), 38Hz-120Hz (+/-3dB)
Maximum SPL @1m (Free Space)	118 dB Pink Noise, 121 dB Continuous, 123 dB Peak
System Coverage	360°
Sensitivity, 2.83v/1m	94 dB
Power Handling	300W Pink noise, 600W Program, 1200W Peak
Recommended Amp Power	300W - 2000W @ 4 Ohms
Rated Impedance	4 Ohms
Input Connectors	Gold Plated Binding Post Terminals
Enclosure	MDF
Mounting	Two Position Mounting Bracket, 4 x M10 suspension points
Transformer Taps 70V	300W, 150W, 75W
Transformer Taps 100V	300W, 150W
Dimensions (H x W x L)	8.98" x 13.78" x 33.86 ^{19/32"} (228 x 350 x 860mm)
Weight	62 Lbs 28.2 Kg (Unit with mounting bracket)

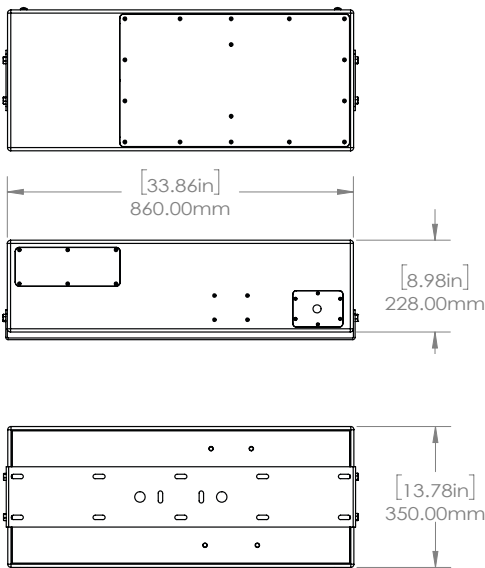
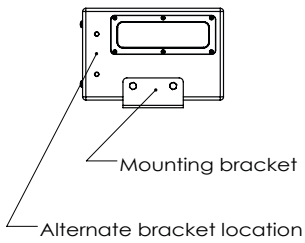
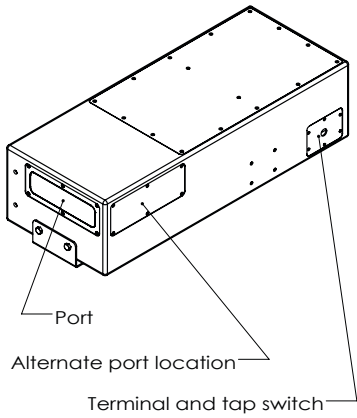


Please see www.originpro.com for most the most updated information concerning these specifications. Products may only be purchased through an authorized integration partner.

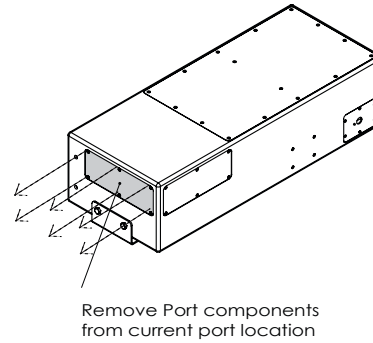


PSUB10X2 SUBWOOFER

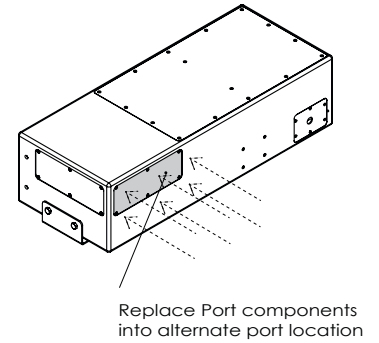
LINE DRAWINGS



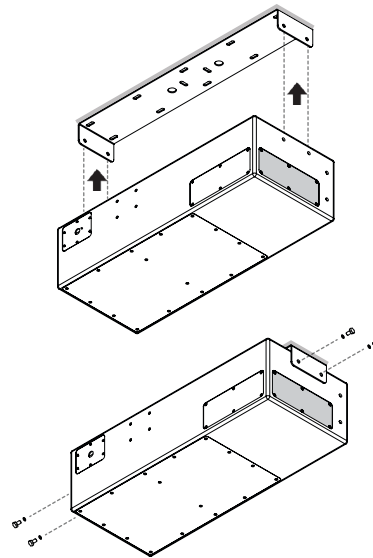
Port Position A



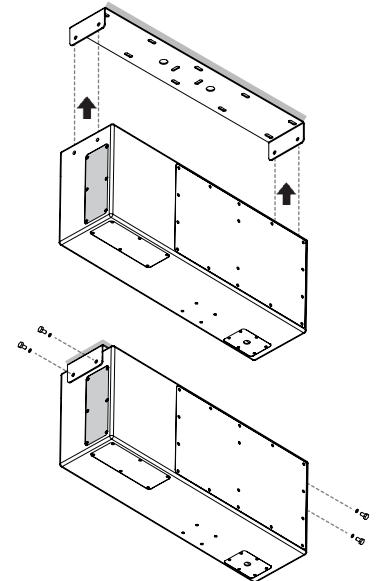
Port Position B



Bracket Position A



Bracket Position B



PSUB10X2

Please see www.originpro.com for most the most updated information concerning these specifications. Products may only be purchased through an authorized integration partner.