

PSUB10X2



SPECIFICATIONS

Part: PSUB10X200

System Type: Dual 10" Bandpass Surface Mount Subwoofer

Driver Components: 2 x 10" Low Profile, Dual Voice Coil, Rigid Flat Honeycomb Glass Fiber Cone Woofers

Crossover: Recommended LPF = 120Hz, 24dB, Butterworth

Frequency Response: 30Hz-160Hz (-10dB), 38Hz-120Hz (+/-3dB)

Maximum SPL @1m (Free Space): 118 dB Pink Noise, 121 dB Continuous, 123 dB Peak

System Coverage: 360°

Sensitivity, 2.83v/1m: 94 dB

Power Handling: 300W Pink noise, 600W Program, 1200W Peak

Recommended Amp Power: 300W - 2000W @ 4 Ohms

Rated Impedance: 4 Ohms

Input Connectors: Gold Plated Binding Post Terminals

Enclosure: MDF

Mounting: Two Position Mounting Bracket, 4 x M10 suspension points

Transformer Taps 70V: 300W, 150W, 75W

Transformer Taps 100V: 300W, 150W

Dimensions (H x W x L): 8.98" x 13.78" x 33.86^{19/32}" (228 x 350 x 860mm)

Weight: 62 Lbs | 28.2 Kg (Unit with mounting bracket)

Please visit www.originpro.com or scan this QR code using your smart device for the most up to date safety information and full installation instructions for this product.

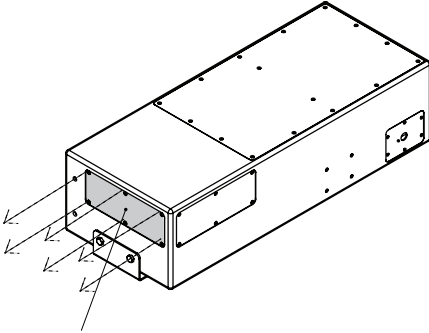


**All warranties and warranty conditions are subject to change. Please refer to www.originpro.com for the latest information.*

QUICK START GUIDE

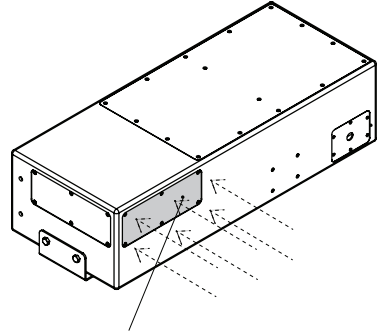
Scan the QR Code on the reverse of this page for full instructions for this product.

Port Position A



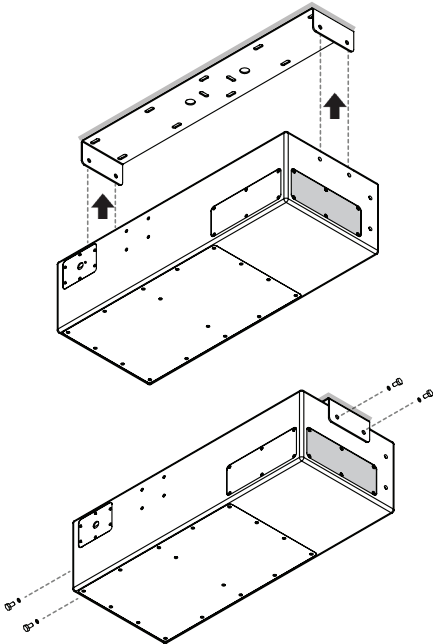
Remove Port components from current port location

Port Position B



Replace Port components into alternate port location

Bracket Position A



Bracket Position B

