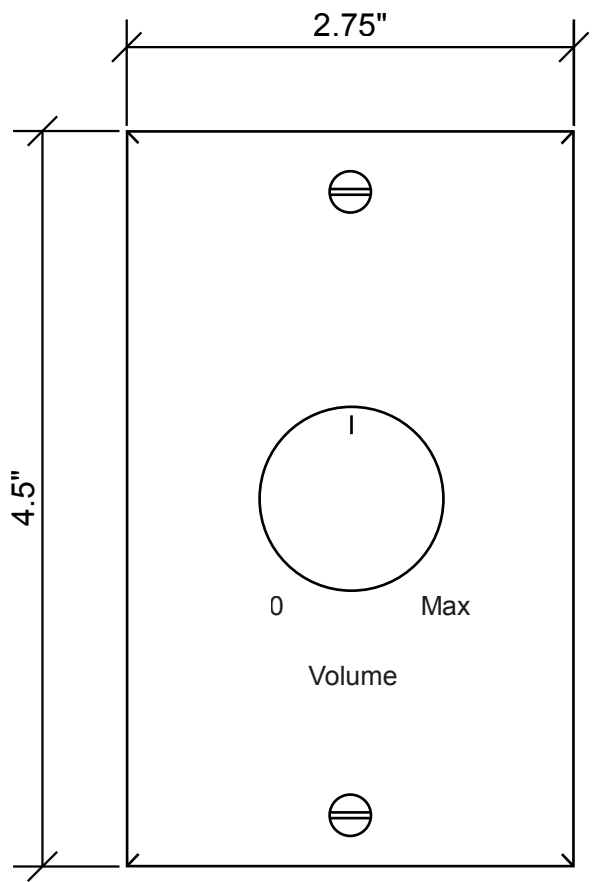
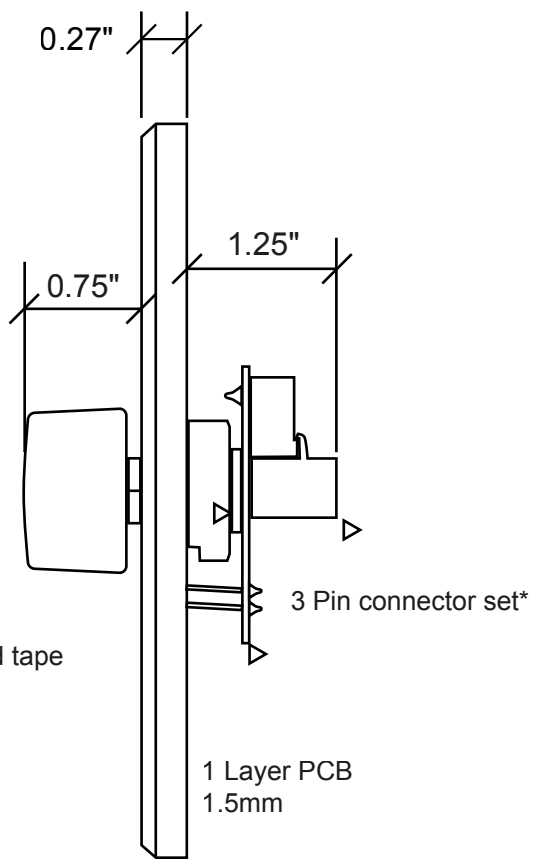


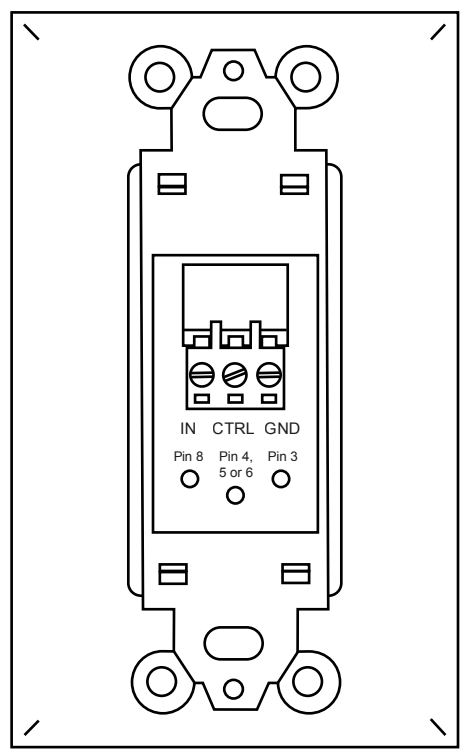
8 7 6 5 4 3 2 1



Front View



Side View



Back View

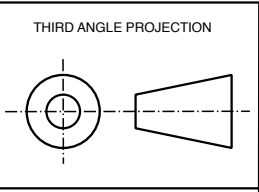
D  
C  
B  
A

D  
C  
B  
A

**ORIGIN ACOUSTICS**

UNLESS OTHERWISE SPECIFIED

THE INFORMATION, TECHNOLOGY AND DESIGNS DISCLOSED HEREIN WERE ORIGINATED BY, ARE PROPERTY OF AND ARE CONFIDENTIAL TO ORIGIN ACOUSTICS. THIS DOCUMENT OR ANY INFORMATION DISCLOSED HEREIN OR HERE WITH SHALL NOT BE REPRODUCED, USED, SOLD OR TRANSFERRED IN ANY FORM OR MANNER WITHOUT THE PRIOR WRITTEN AUTHORIZATION OF ORIGIN ACOUSTICS. ORIGIN ACOUSTICS RESERVES ALL PATENT, COPYRIGHT, SALE AND MANUFACTURING RIGHTS THERETO



UNLESS OTHERWISE SPECIFIED  
DIMENSIONS ARE IN: MILLIMETERS  
TOLERANCE ARE:  
X ± 0.5  
X ± 0.1  
.XX ± 0.05  
ANGULAR ± 0.5

**DO NOT SCALE DRAWING**

DRAFT	Humberto		TITLE		VCOAPROR Volume control	
ENGINEER	Humberto		CUSTOMER PART NUMBER		PART NUMBER	REV
PRODUCT	Origin ProA amplifiers				X-X00-001-01	01
			SIZE	SCALE NA	SHEET 1 OF 3	

8 7 6 5 4 3 2 1