

BOC100 Series Celestial™ Collection

All Music. Zero Clutter. The BOC106 in-ceiling speaker has been co-engineered and designed by the founders of the first in-wall speaker to deliver the highest level of sonic bliss with elegantly discreet aesthetics.



BOC106

Multi-Motion™ Technology

The patented Multi-Motion™ pivoting mechanics of the tweeter and midrange (BOC86 only) enables sound to be directed towards the preferred listening area regardless of the speakers position.

Tonarm™ Tweeter

Styled as the name suggests, this patented technology pins the tweeter at the center for increased stability, enabling the tweeter to play louder with wider dispersion.

Tri-Linear Configuration

The three-driver design is efficient and is more precise by dividing the frequency spectrum into smaller segments allowing the individual drivers to concentrate on a more limited sonic palette.

Tool-less Mounting System

The ZipClip™ ensures easy and tool-less installation while providing the perfect conditions for sound reproduction - regardless of the construction materials in place.

X-Wave™ Woofer Surround

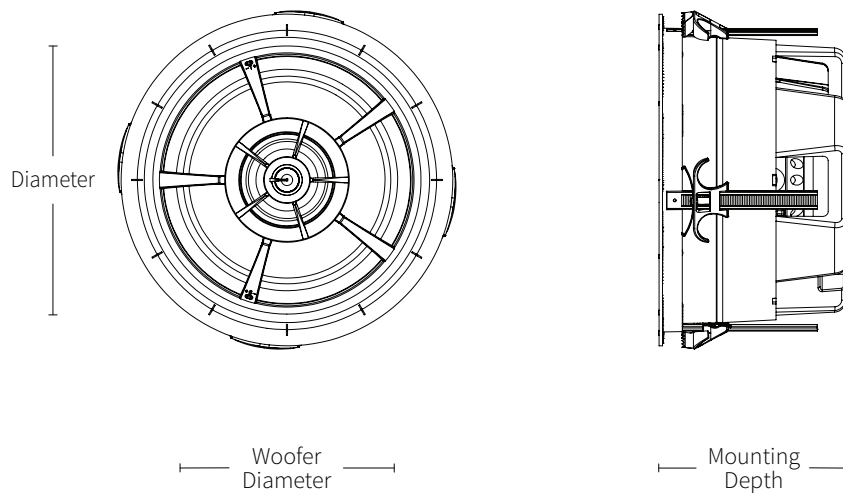
This suspension element absorbs unwanted frequencies that reflect up and down the woofer cone to reduce harmonic distortion while maintaining the desired linear travel of the woofer.

More Than Meets the Eye

The visible speaker grilles remain true to the Bang & Olufsen design philosophy of understated luxury. The premium grilles are made from polished aluminum and white steel, manufactured in Struer, Denmark.

Specifications

Model	BOC106
Part Number	SCBOC10060
Woofer Cone	Glass Fiber
Woofer Diameter	10" (254mm)
Mid-Range Dome	Glass Fiber
Mid-Range Diameter	4" (102mm)
Tweeter Dome	Silk DPSD
Tweeter Diameter	0.75" (20mm)
Frequency Response	28 Hz - 20 kHz
Impedance	6 ohm Minimum
Power Handling	50 - 175 Watts
Diameter	11" (279mm)
Grille Diameter	11.25" (286mm)
Cutout Diameter	10.375" (264mm)
Mounting Depth	7.5" (188mm)



*Not to Scale