



MOS36K

MOS36K MINIMAL OPENING SYSTEM • INSTALLATION MANUAL



Table of Contents

1. Introduction	1
2. MOS36K System Specifications	2
3. What's Included	4
4. Required Tools	4
5. MOS36K Trim-Ring Kit Overview	5
6. Typical Parts Order	5
7. MOS36K Finish Trim Kit	6
8. MOS36K Mounting Steps	8
9. Warranty Coverage - 5 Year Limited Warranty	22
10. Return Process	23
11. Troubleshooting	24
12. Technical Assistance	25



1. Introduction

Thank you for choosing the Origin MOS36K Minimal Opening System™.

Our smallest yet largest feat so far, the Minimal Opening System™ is a revolutionary fully in-ceiling audio system that mimics the appearance of 4" designer lighting.

Customized to match the unique appearance of home lighting, the custom finish blends seamlessly into the ceiling alongside lights for a sophisticated uniform look.

The included Trim Ring Kit includes 6 different designs, offering the latest, invisible flushmount trim-ring options, and both round & square grilles, allowing the ideal trim to be selected to match any interior.

This instruction booklet covers the necessary information for a smooth installation, including: the tools you will need, step-by-step instructions for installation, troubleshooting tips for any errors that may occur, and all warranty information. If for any reason you experience problems or if you have installation questions please call us at (844) 674-4461. Hours of operation are 8:00am to 5:00pm (Pacific Time), Monday through Friday.

2. MOS36K System Specifications

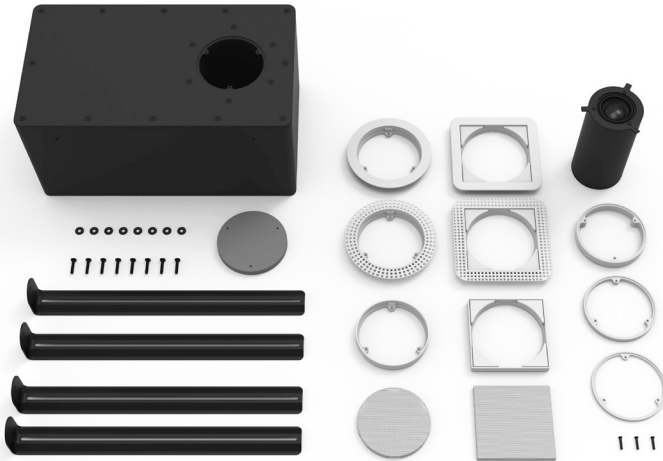
SPECIFICATION	MOS36K SYSTEM
System Type	Two-Way Full Range Loudspeaker
Frequency Response	35Hz - 20kHz [- 10dB] 44Hz - 20kHz [+ 3dB]
Power RMS	75 Watts
Power Peak	200 Watts
Recommended Crossover	50W - 150W FTC @ 4 Ω
Maximum SPL @ 1m	Custom Two-Way Passive 200Hz 102 dB Continuous, 107 dB Peak
System coverage	100-degree conical
Sensitivity, 1W/1m	84 dB
Nominal Impedance	4 Ω
Input Connectors	2P Phoenix Connector
PART	MOS3600BOX
Subwoofer	6 ½" Composite Glass Fiber
Enclosure	Composite UL Resin
Mounting	Overlapping Formed Steel Straps, Adjustable from 14.5" – 22.5"
Height	6 ¾" (172 mm)
Width	8" (203 mm)
Length	14" (356 mm)
Weight	11.5lbs (5.23kg)

PART
Full Range Driver Components

MOS3600MRM
2" Wide Band Aluminum Cone
Rubber Surround
Neodymium Transducer

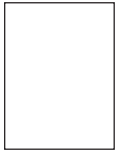
Diameter
Height
Weight

2 13/16" (72 mm)
5 1/2" (14 mm)
0.55lbs (0.25kg)



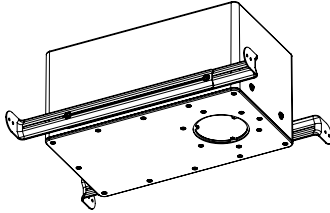
*All product specifications are subject to change. Please refer to the dealer portal for the latest information.

3. What's Included



Start Guide

+

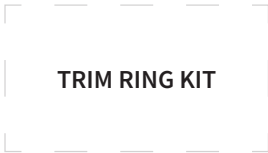


MOS36BOX

+



MOS36MRM



TRIM RING KIT

+



Grille Adhesives

+



Grille Pick



Socket Head Screw
& Hex Key



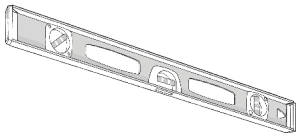
Placeholder Sponge

+



3 x Trim Ring Screws

4. Required Tools



Level



Drill



Two (2) Pieces of 2'' x 4'' or 1'' x 4'' Wood



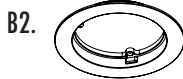
Screwdriver

5. MOS36K Trim Ring Kit Overview

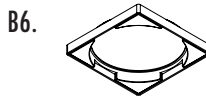
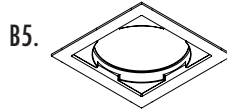
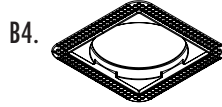
A. SPACERS



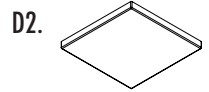
B. TRIM RINGS



B. TRIM RINGS



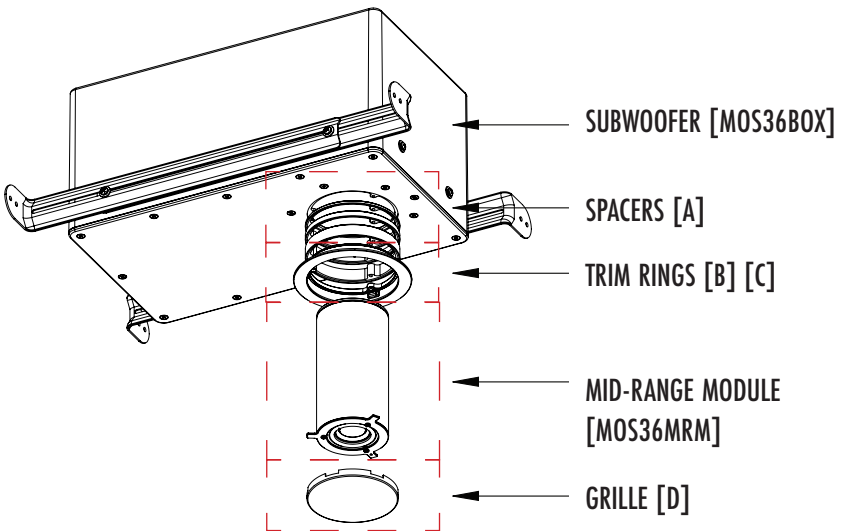
D. GRILLES



C. SQUARE TRIM ADAPTER RING



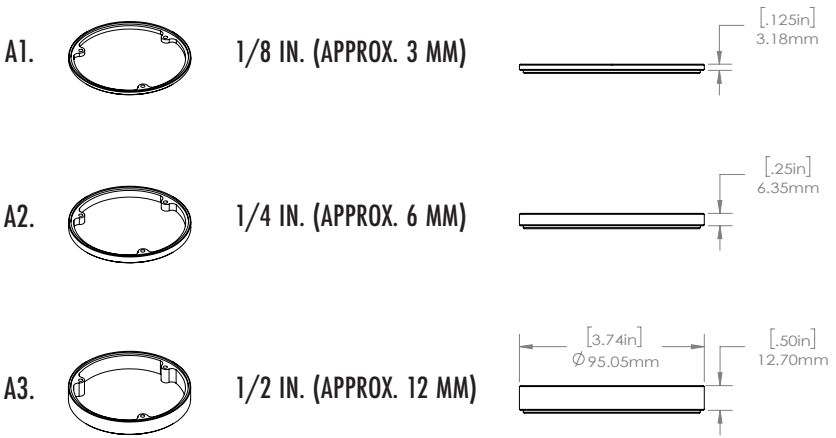
6. Typical Parts Order



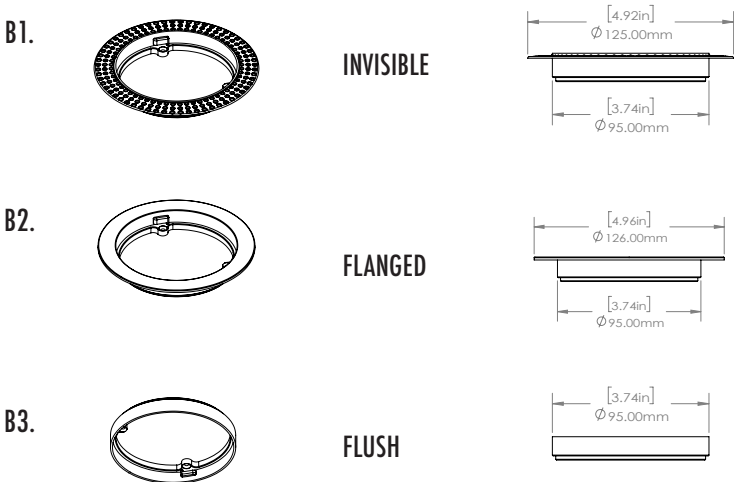
7. MOS36K Trim Ring Kit

The Trim Ring Kit includes the following pieces:

A. Spacer Options

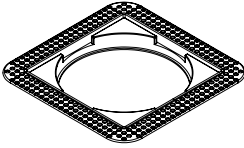


B. Trim Ring Options: Round Trim Rings

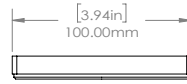


B. Trim Ring Options: Round Trim Rings

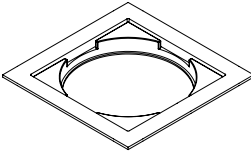
B4.



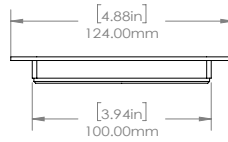
INVISIBLE



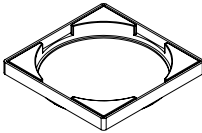
B5.



FLANGED



B6.

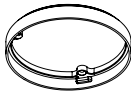


FLUSH

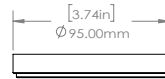


C. Square Trim Adapter Ring

C1.



ROUND FLUSH TRIM RING
IS ALSO USED AS SQUARE
TRIM ADAPTER RING

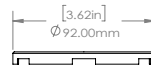


D. Grille Options

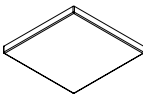
D1.



ROUND GRILLE



D2.



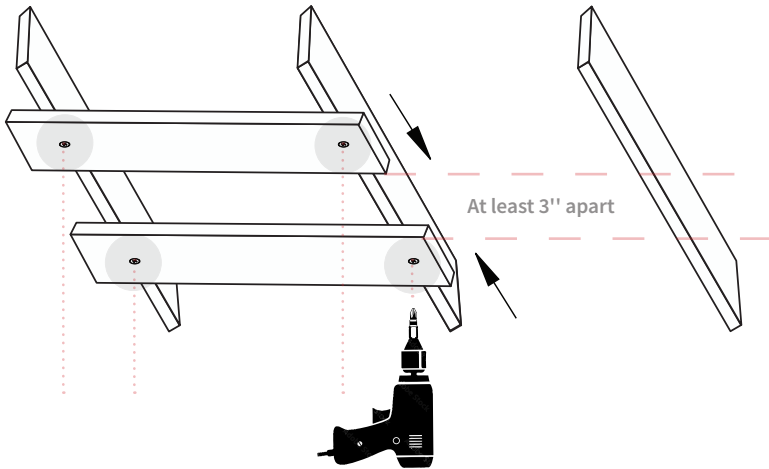
SQUARE GRILLE



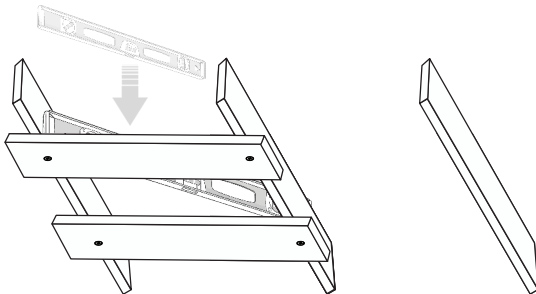
8. MOS36K Mounting Steps

1. Mount temporary holders to ceiling joists.

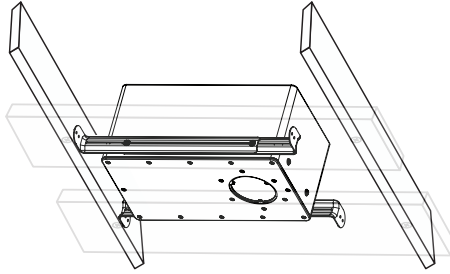
Cut a couple of 2" x 4"s or 1" x 4"s, a few inches wider than the ceiling joists. Then with a couple of drywall screws, mount the temporary holders to the joists. *(Drywall screws not included).*



These temporary holders will help you hold up the MOS36BOX and make the speaker mount flush to the future drywall. Using a level, check that your temporary holders are evenly level, adjusting as needed.

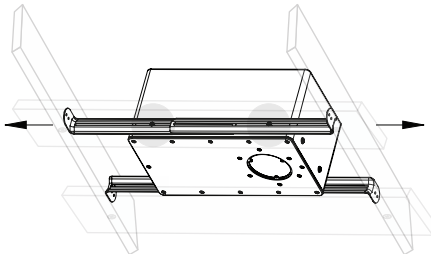
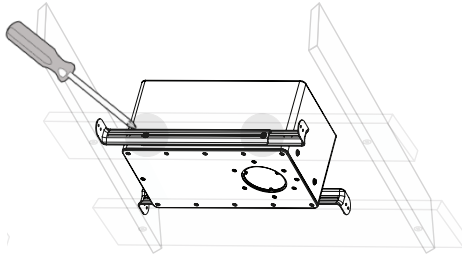


2. Adjust the rails, as necessary, to fit ceiling joists.



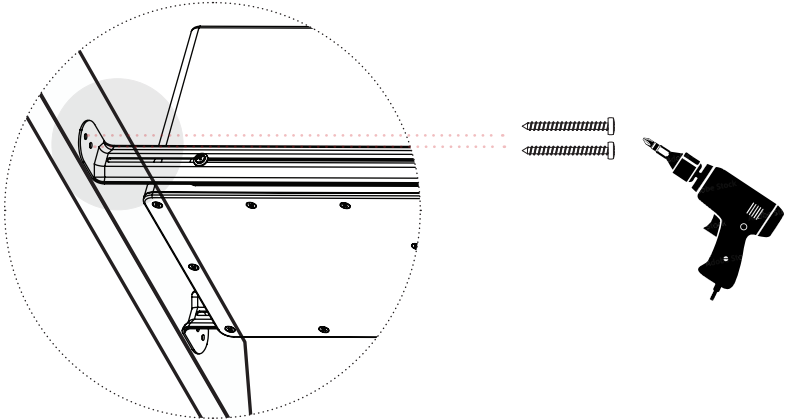
Place MOS36BOX in desired final location. Then, using a Phillips screwdriver, loosen the screws on each side of the system rails, and extend them so they reach the ceiling joists. Afterwards, make sure to re-tighten screws once the rail length matches the ceiling joists.

NOTE: The cabinet also has screw openings on the short sides so you can move the rails from the long side to the short sides for tight space installations.

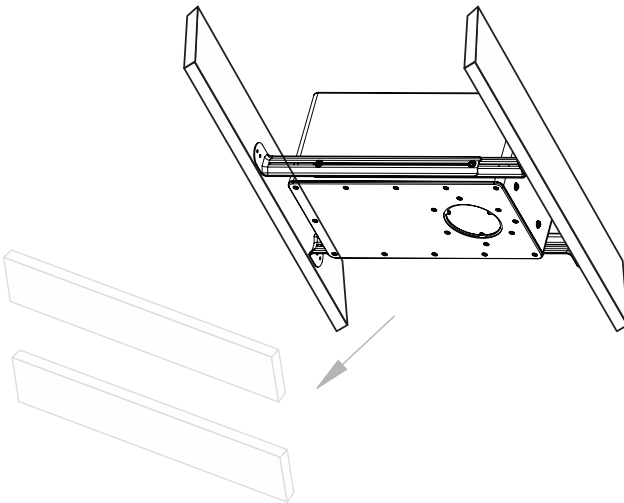


3. Securely fix the rail brackets to the joists.

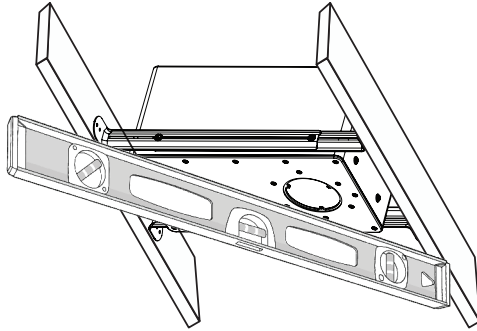
Use a drill and wood screws (not included). Ensure the screws on each side of the rails are evenly inserted, and the appropriate length, for a level positioning.



4. Remove the temporary wood supports from the joists.



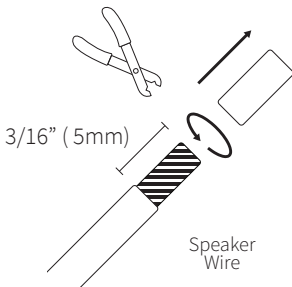
5. Ensure the face of the speaker is plumb with the joists.



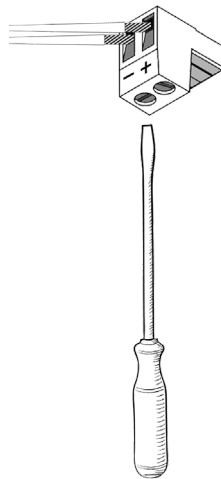
6. Speake wire connection:

To connect the speaker wire to the 2-Pin Phoenix Connector on the Subwoofer module, strip approximately $\frac{3}{16}$ " (5mm) of the insulation off each wire, and to avoid stray strands, twist them at the end.

Insert each wire into the square opening with the correct polarity, on the phoenix connector. Use a small flat head screwdriver to tighten the corresponding screw to secure the wire.



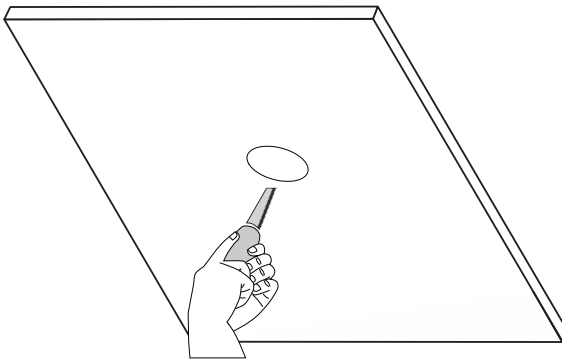
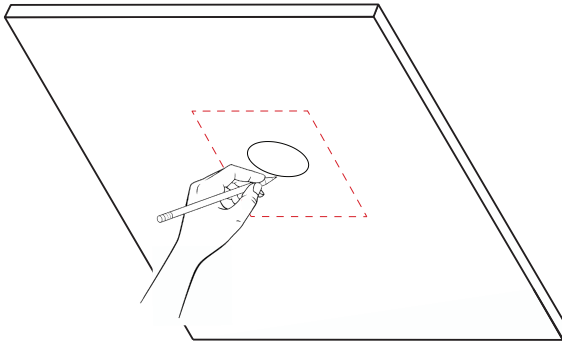
2-Pin Phoenix Connector



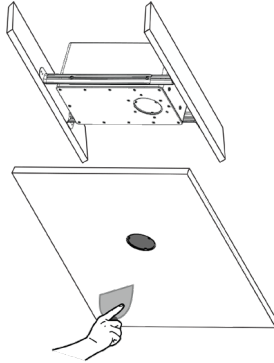
7. Drywalling Steps:

Use the cut-out template to mark the cut-out for the Mid-Range Module (MOS36MRM) on the drywall/ surface material.

Trace along the inside of the Cut-Out Template, then use a key-hole or drywall saw to cut out the hole.

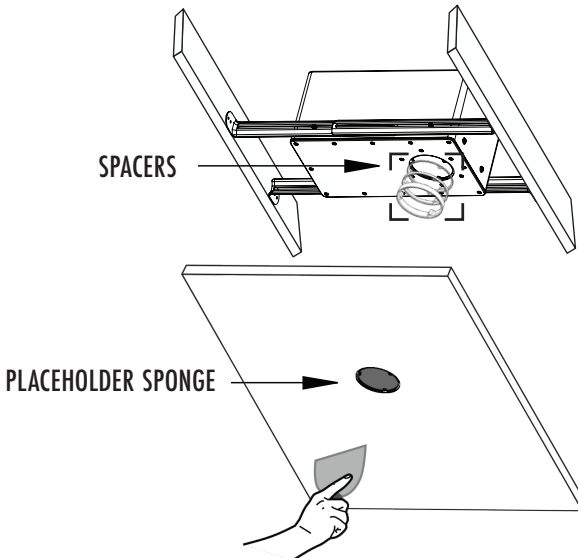


8. Place the Placeholder Sponge inside the MOS36BOX Port Tube Opening, before installing the drywall, to protect the cut-out hole & port from any debris during the drywalling process.

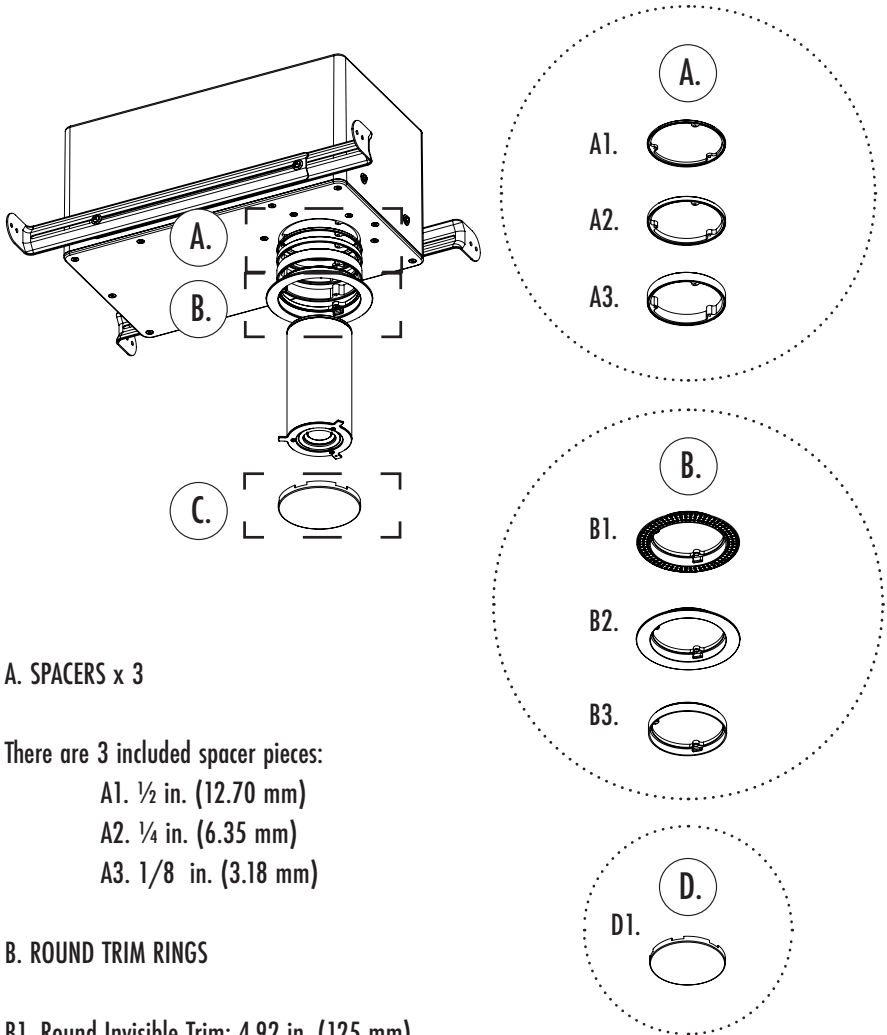


If using sheetrock that is thicker than $\frac{1}{2}$ " , or if the Port Tube cover does not reach the edge of the drywall, attach the appropriate number of spacers according to the depth of the drywall ceiling.

[The chosen finishing trim kit will be added after the drywall]



9A. Round Trim Kit:



A. SPACERS x 3

There are 3 included spacer pieces:

A1. ½ in. (12.70 mm)

A2. ¼ in. (6.35 mm)

A3. 1/8 in. (3.18 mm)

B. ROUND TRIM RINGS

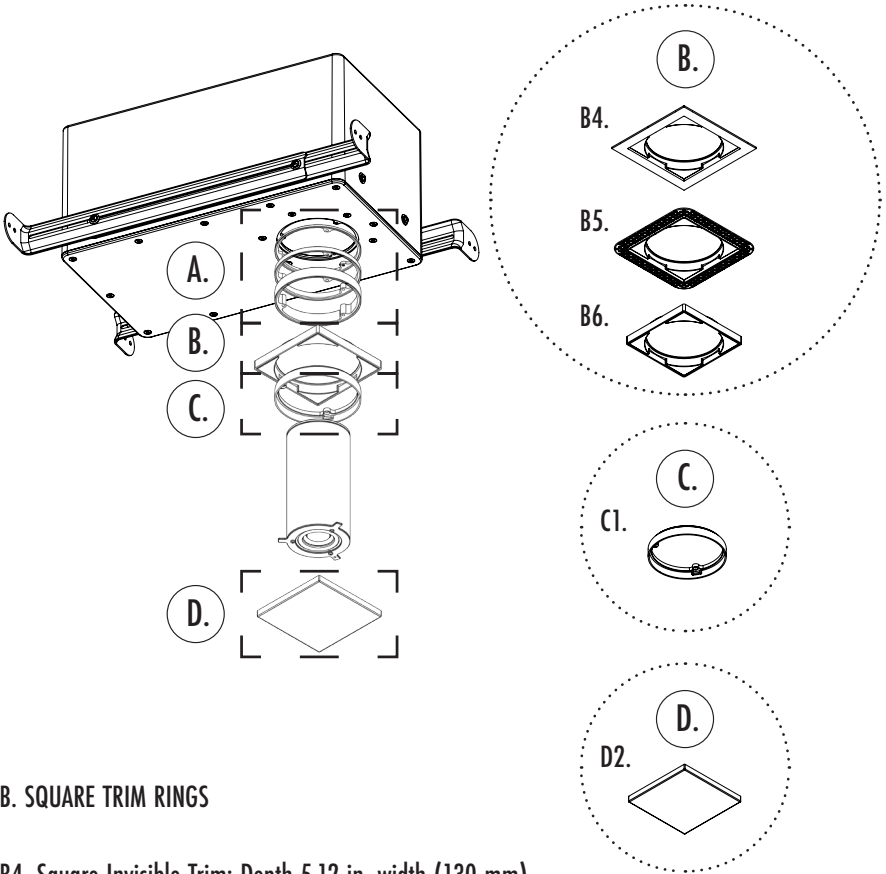
B1. Round Invisible Trim: 4.92 in. (125 mm)

B2. Round Flanged Trim: 4.96 in. diameter (126 mm)

B3. Round Flush Trim: 3.74 in. diameter (95 mm)

D1. ROUND GRILLE

9B. Square Trim Kit:



B. SQUARE TRIM RINGS

B4. Square Invisible Trim: Depth 5.12 in. width (130 mm)

B5. Square Flanged Trim: Depth w/ border: 4.88 in. width (124 mm)

B6. Square Flush Trim: Depth 3.94 in. width (100 mm)

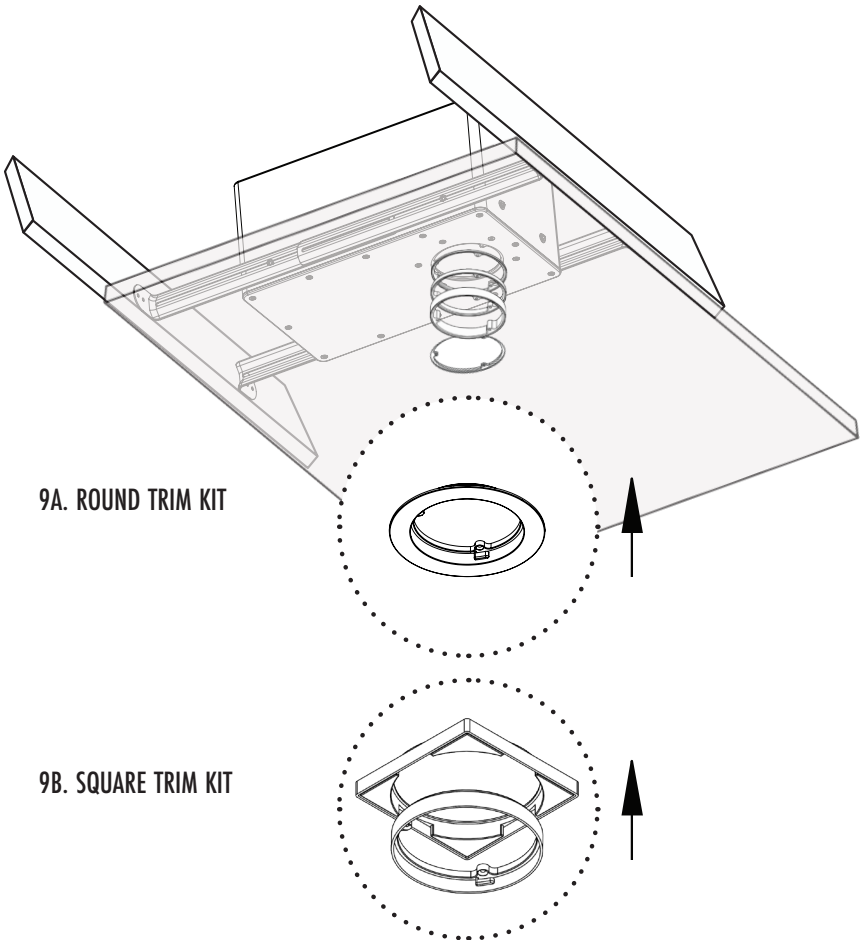
C1. MRM ADAPTER RING FOR SQUARE TRIM ATTACHMENT

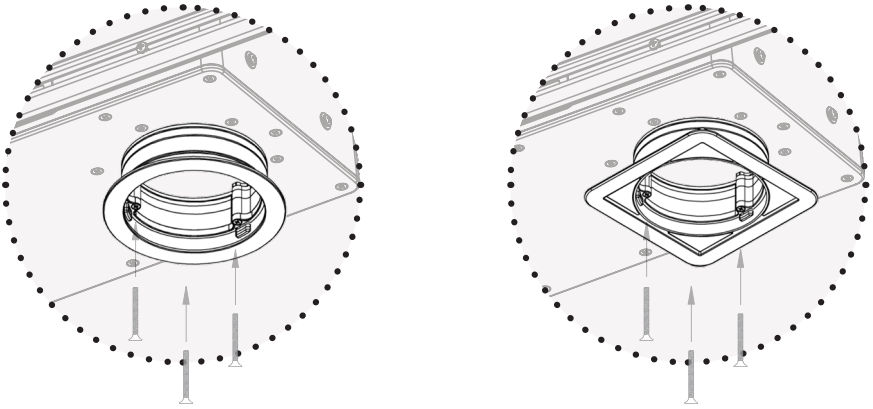
Required for installing the Square Trim Ring
3.74 in. diameter (95 mm)

D2. SQUARE GRILLE

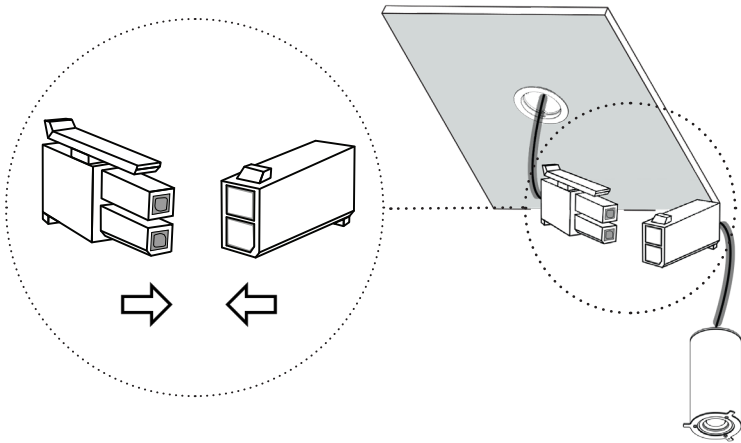
10. Apply drywall/ surface material, plaster & paint, using mesh tape to cover any installation seams. Apply joint compound and level out compound to conceal seams. Make sure to mud up to the rim of the trim ring spacer. Then remove placeholder sponge.

11. Once the placeholder sponge is removed, install the desired trim ring over the spacers and secure the trim ring into all spacers using the 3 included Trim Ring Screws.

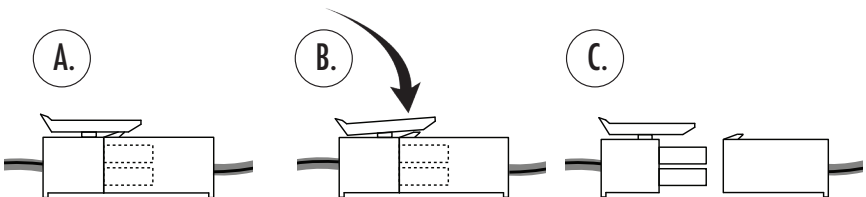




12. Lastly, the speaker module can be attached, to test the unit, before plaster work is performed. Securely fix the 2-Pin Phoenix Connectors together, from the MOS36BOX to the MOS36MRM piece.

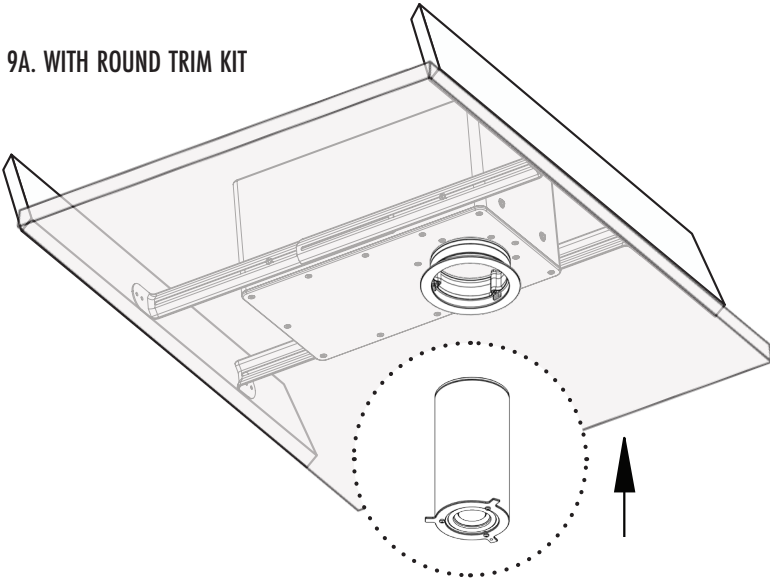


To disconnect/release, press down on plastic latch.

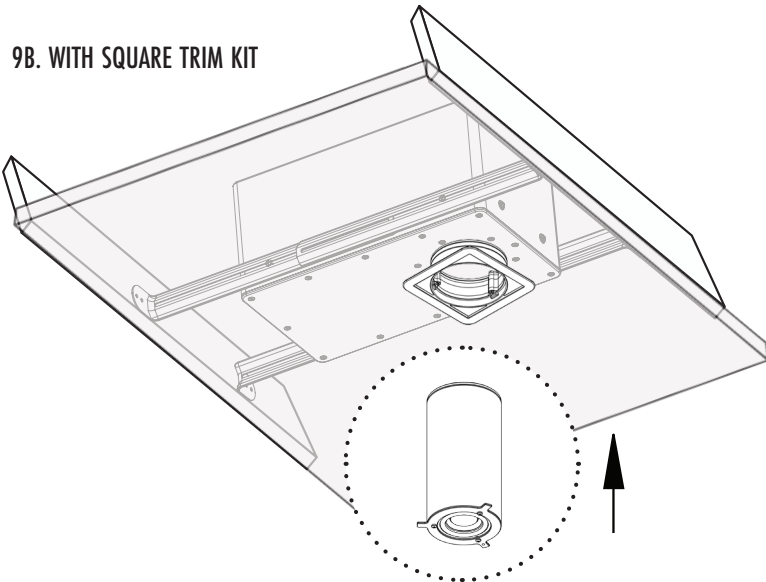


13. The MOS36MRM (Mid-Range Module) can now be inserted into the MOS36BOX Subwoofer assembly:

9A. WITH ROUND TRIM KIT

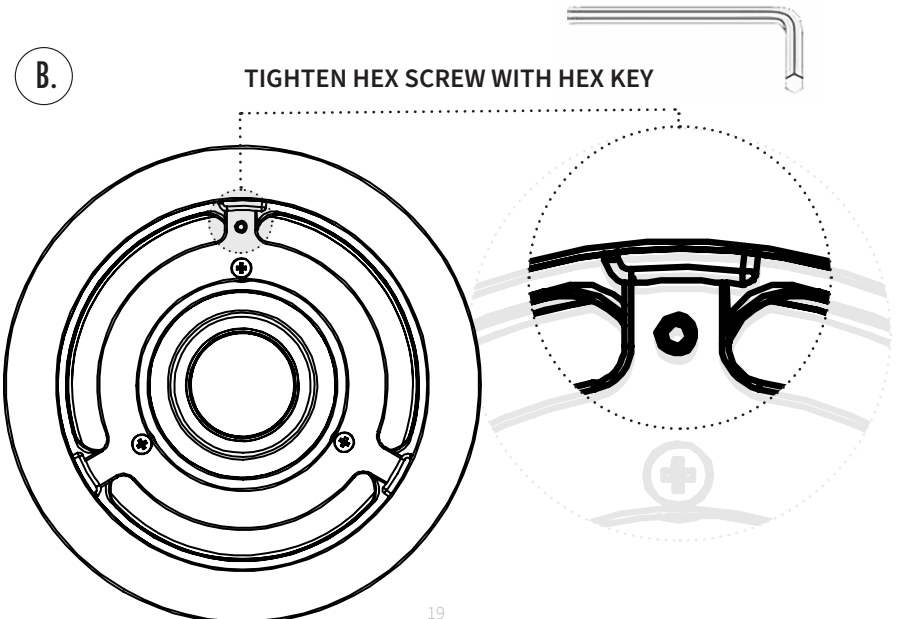
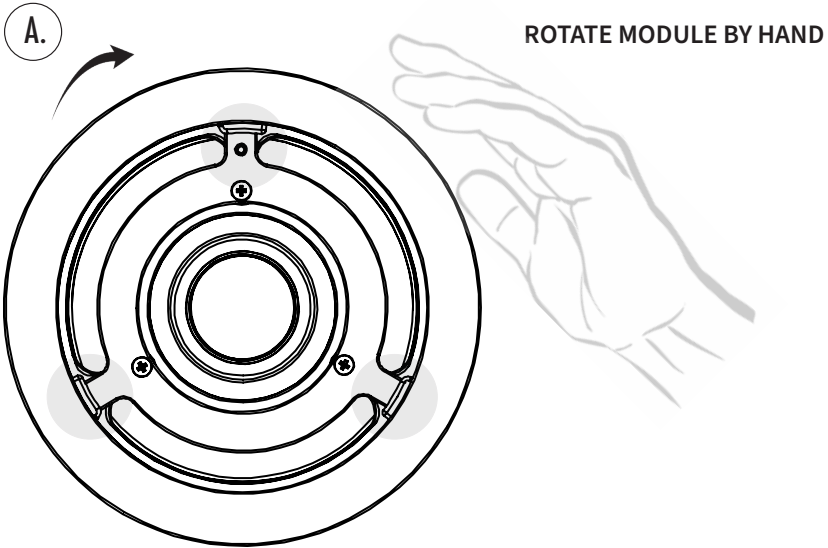


9B. WITH SQUARE TRIM KIT



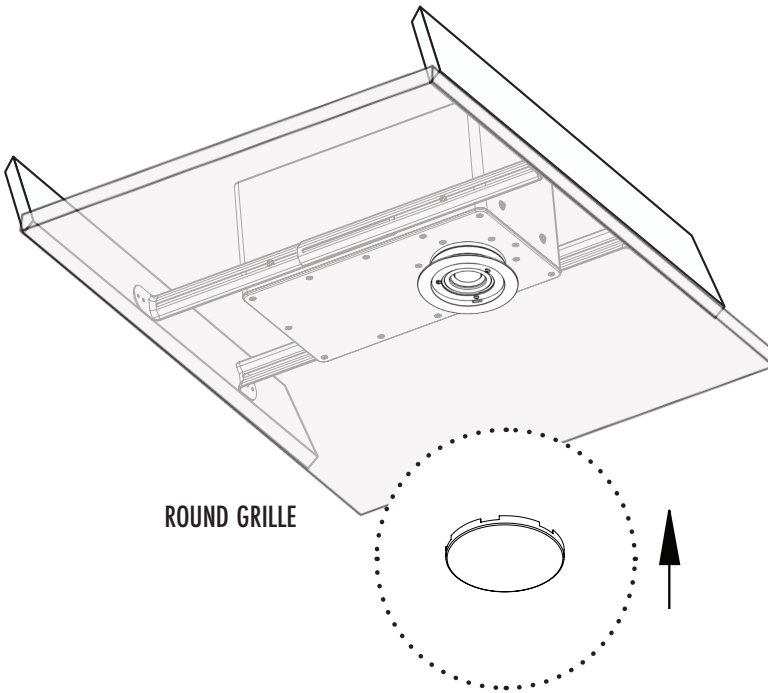
14. Rotate the MRM Module by hand, **CLOCKWISE**, until the three (3) metal wings rest inside the three (3) tabs of the Trim.

Finally, secure the MRM Module within the Subwoofer assembly using the provided Socket Head Screw and Hex Key.

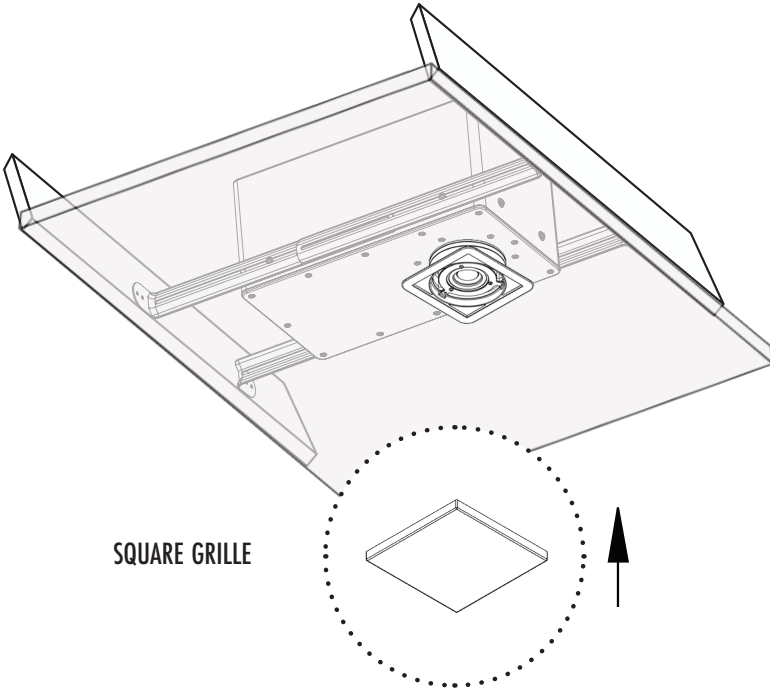


15. To complete the installation, use the pieces of included adhesive tack, to secure the press grille in place. The grille can be spray painted to better match the ceiling color and environment, prior to being attached.

9A. ROUND TRIM KIT



9B. SQUARE TRIM KIT



9. Warranty Coverage - 5 Year Limited Warranty

Origin Acoustics warrants to the original retail purchaser only that for a period of Five (5) years from the original date of purchase. This Origin Acoustics product will be free from defects in materials and workmanship, provided the speaker was purchased from an Origin Acoustics authorized dealer.

If the product is determined to be defective, it will be repaired or replaced at Origin Acoustics' discretion. If the product must be replaced yet it is no longer manufactured, it will be replaced with a model of equal to or greater value that is the most similar to the original. If this is the case, installing the replacement model may require mounting modifications; Origin Acoustics will not be responsible for any such related costs.

Requirements & Warranty Coverage

This warranty may not be valid if the product was purchased through an unauthorized dealer. This warranty only applies to the individual that made the original purchase, and it cannot be applied to other purchases. The purchaser must be prepared to provide proof of purchase (receipt). This warranty will not be valid if the identifying number or serial number has been removed, defaced, or altered.

***All warranties and warranty conditions are subject to change. Please refer to www.originacoustics.com for the latest information.**

Not Covered by Warranty

- Accidental damage
- Damage caused by abuse or misuse
- Damage caused by attempted repairs/modifications by anyone other than Origin Acoustics or an authorized dealer
- Damage caused by improper installation
- Normal wear, maintenance, and environmental issues
- Damage caused by voltage inputs in excess of the rated maximum of the unit
- Damage inflicted during the return shipment

10. Return Process

Before making any return attempts, it is required that you first contact Origin Acoustics. Return product to Origin Acoustics or your dealer, either in person or by mail. It's preferable if the product is returned in the original packaging. If this isn't possible, the customer is responsible for insuring the shipment for the full value of the product.

This warranty is in lieu of all other expressed or implied warranties. Some states do not allow limitations on implied warranties, so this may not apply depending on the customer's location. (For more information, see Magnuson-Moss Warranty Act.)

11. Troubleshooting

If possible, it's often good to try to isolate the problem first. For example, if you're playing a DVD on a television and there's no sound, try connecting an MP3 player to the system to see if that works. If it does work, then the problem is with the television, DVD player, or the cables connecting them. If it doesn't work, the problem will be with the amplifier, speakers, or those cables.

Problem	Possible Cause
No Sound	The volume may be turned down or muted. Check the volume settings on both the amplifier and the television/computer/CD player/etc.
No Sound	Make sure the proper source is selected on the amplifier or receiver.
No Sound	Check the cord connecting the amplifier with the source. The cord may be damaged or plugged into the wrong input or output.
No Sound	Check the wires connecting the amplifier with the speakers. Make sure they're connected properly and not damaged in any way.
Poor Sound Quality	If you hear something like static, or the sound is cutting in and out, check the audio cables. If the problem increases when a cable is being moved, then the cable is most likely faulty or not connected properly.
Poor Sound Quality	Today's audio systems may have several places to adjust the volume, for example your MP3 player may have a volume control, and your amplifier may also have one. Check to be certain that the volume isn't turned up past 80% on any device.
Poor Sound Quality	Try changing sources to be certain that the selection you've chosen is a good quality recording.

12. Technical Assistance

If you have any questions or concerns about installing or using this product, you can reach us through one of the following methods:

Phone: (844) 674-4461

Hours of operation: 8:00am - 5:00pm (Pacific Time), Mon - Fri

Email: sales@originacoustics.com

If you are having technical trouble, please include the model number and briefly explain what steps you took to resolve the problem in your email, or be prepared to answer these questions over the phone. If you are considering returning the product, it's required that you contact Origin Acoustics prior to any return attempts. This way we can determine if the issue can be resolved without returning the product, or if needed we can provide instructions and support for the return process.



Rev 4 • 10-24-22

6975 S Decatur BLVD, Las Vegas, NV 89118 • www.originacoustics.com • 844-674-4461

©2022 Origin Acoustics. All copyrighted, trademarked and patented elements mentioned herein are the sole property of Origin Acoustics.