



# MOS36SUB

MINIMAL OPENING SUBWOOFER • INSTALLATION MANUAL



# Table of Contents

1. Introduction	1
2. MOS36SUB Specifications	2
3. What's Included	4
4. Required Tools	4
5. MOS36SUB Trim Ring Kit Overview	5
6. Typical Parts Order	5
7. MOS36SUB Trim Ring Kit Specifications	6
8. MOS36SUB Mounting Steps	10
9. Troubleshooting	22
10. Technical Assistance	23
11. Warranty Coverage - 5 Year Limited Warranty	24
12. Return Process	25



## 1. Introduction

Thank you for choosing the Origin MOS36SUB Minimal Subwoofer, built to enhance the listening experience of our Minimal Opening System™, a revolutionary fully in-ceiling audio system that mimics the appearance of 4" designer lighting.

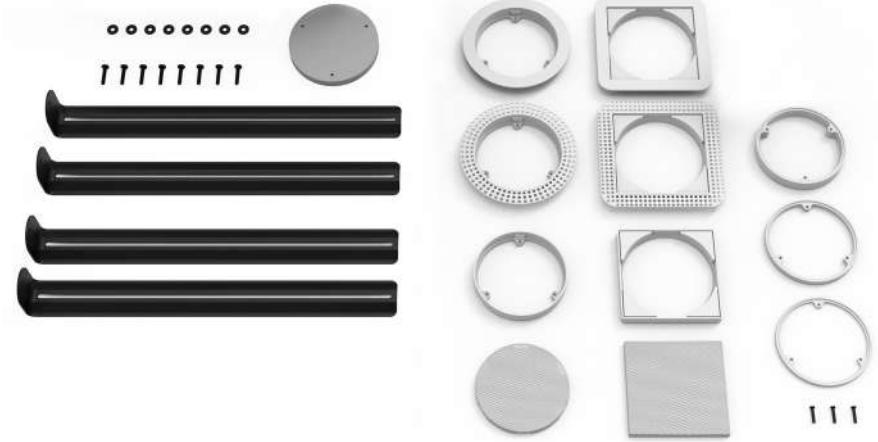
Customized to match the unique appearance of home lighting, the custom finish blends seamlessly into the ceiling alongside lights for a sophisticated uniform look.

The included Trim Ring Kit includes 6 different designs, offering the latest, invisible flushmount trim-ring options, and both round & square grilles, allowing the ideal trim to be selected to match any interior.

This instruction booklet covers the necessary information for a smooth installation, including: the tools you will need, step-by-step instructions for installation, troubleshooting tips for any errors that may occur, and all warranty information. If for any reason you experience problems or if you have installation questions please call us at (844) 674-4461. Hours of operation are 8:00am to 5:00pm (Pacific Time), Monday through Friday.

## 2. MOS36SUB Subwoofer Specifications

<b>SPECIFICATION</b>	<b>MOS36SUB</b>
<b>System Type</b>	Minimal Opening Subwoofer
<b>Driver Components</b>	Two 6½" Poly Cone Subwoofers
<b>Crossover</b>	DSP Recommended LPF 160Hz or less 24 dB BW
<b>Frequency Response</b>	31Hz - 250Hz [- 10 dB] 42Hz - 170Hz [-/+ 3 dB]
<b>Maximum SPL @ 1m</b>	102dB Continuous, 107dB Peak
<b>System coverage</b>	100-degree conical
<b>Sensitivity, 2.83V/1m</b>	88 dB
<b>Power RMS</b>	100 Watts
<b>Power Peak</b>	200 Watts
<b>Recommended Amp</b>	50 - 250 Watts (FCT) @ 4 Ω
<b>Nominal Impedance</b>	6 Ω
<b>Input Connectors</b>	Gold Plated Spring Push Terminals
<b>Enclosure</b>	MDF
<b>Mounting</b>	Overlapping Formed Steel Straps, Adjustable from 14.5" – 22.5"
<b>MODEL</b>	<b>MOS36SUB</b>
<b>PART</b>	<b>MOS3600SUB</b>
<b>Height</b>	6 ¾" (172 mm)
<b>Width</b>	14" (356 mm)
<b>Length</b>	22" (559 mm)
<b>Weight</b>	29.5lbs (13.4kg)



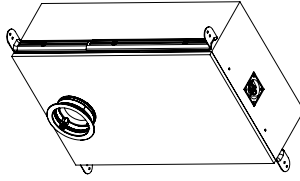
\*All product specifications are subject to change. Please refer to the dealer portal for the latest information.

### 3. What's Included



Start Guide

+

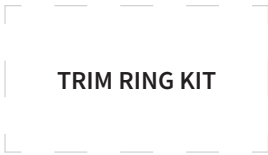


MOS36SUB

+



Cut Out Template



TRIM RING KIT

+



Grille Adhesives

+



Grille Pick



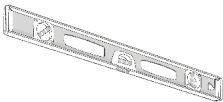
2 x Placeholder Sponges

+



3 x Trim Ring Screws

### 4. Required Tools



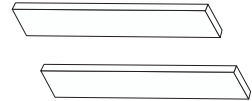
Level



Drill



Screwdriver



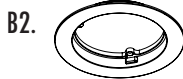
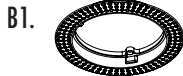
2" x 4" or 1" x 4" Wood  
(Two [2] Pieces)

## 5. MOS36SUB Trim Ring Kit Overview

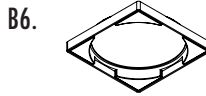
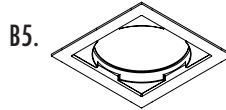
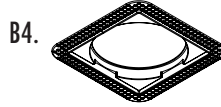
### A. SPACERS



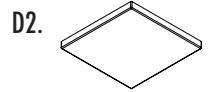
### B. TRIM RINGS



### B. TRIM RINGS



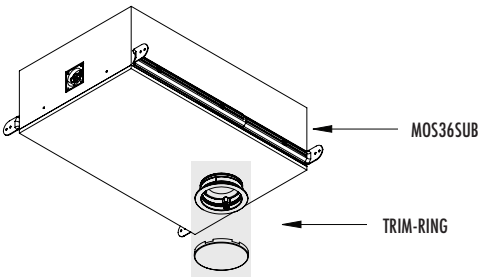
### D. GRILLES



### C. SQUARE TRIM ADAPTER RING



## 6. Typical Parts Order

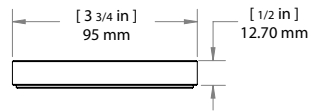
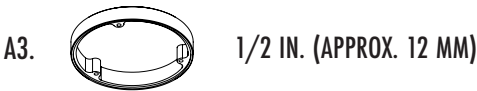
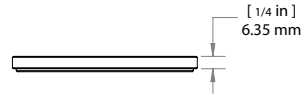
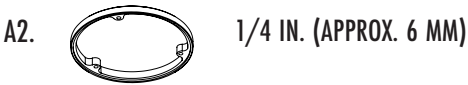
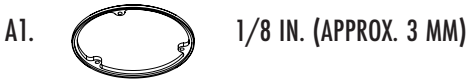


	SQUARE	ROUND
SPACERS [A]		
TRIM RINGS [B]		
SQUARE TRIM ADAPTER RING [C]		
GRILLE [D]		

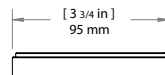
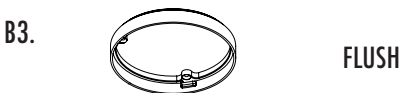
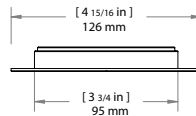
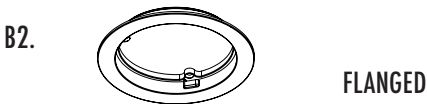
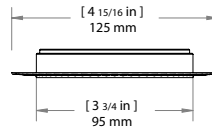
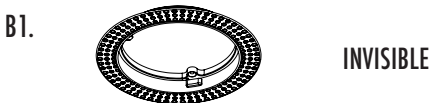
## 7. MOS36SUB Trim Ring Kit Specifications

The Trim Ring Kit includes the following pieces:

### A. Spacer Options



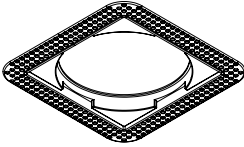
### B. Trim Ring Options: Round Trim Rings



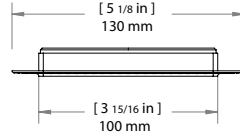


## B. Trim Ring Options: Round Trim Rings

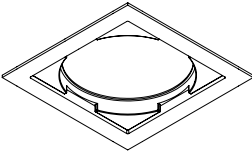
B4.



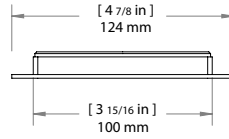
INVISIBLE



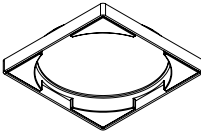
B5.



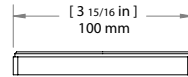
FLANGED



B6.

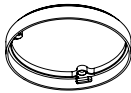


FLUSH

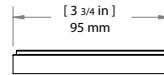


## C. Square Trim Adapter Ring

C1.



ROUND FLUSH TRIM RING  
IS ALSO USED AS SQUARE  
TRIM ADAPTER RING



## D. Grille Options

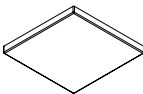
D1.



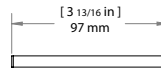
ROUND GRILLE



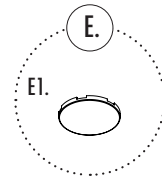
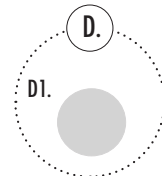
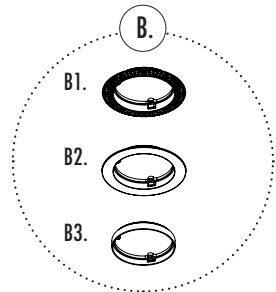
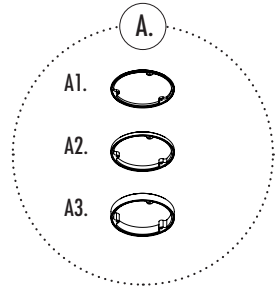
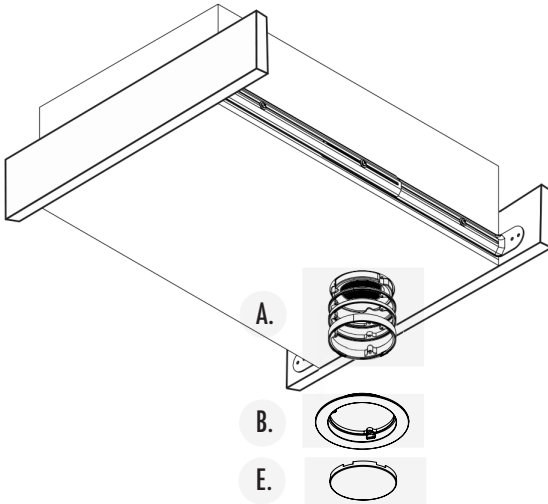
D2.



SQUARE GRILLE



## E. MOS36SUB Round Trim Setup



### A. SPACERS

There are 3 included spacer pieces:

- A1. Spacer: 1/8 in. (3.18 mm) Depth
- A2. Spacer: 1/4 in. (6.35 mm) Depth
- A3. Spacer: 1/2 in. (12.70 mm) Depth

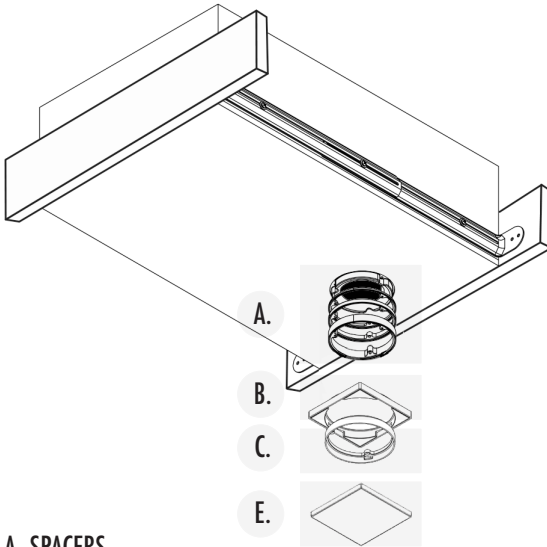
### B. ROUND TRIM RINGS

- B1. Round Invisible Trim: 4 15/16 in. (125 mm) Diameter
- B2. Round Flanged Trim: 4 15/16 in. (126 mm) Diameter
- B3. Round Flush Trim: 3 3/4 in. (95 mm) Diameter

### D1. ROUND PLACEHOLDER SPONGE

### E1. ROUND GRILLE

## F. MOS36SUB Square Trim SetUp



### A. SPACERS

There are 3 included spacer pieces:

- A1. Spacer: 1/8 in. (3.18 mm) Depth
- A2. Spacer: 1/4 in. (6.35 mm) Depth
- A3. Spacer: 1/2 in. (12.70 mm) Depth

### B. SQUARE TRIM RINGS

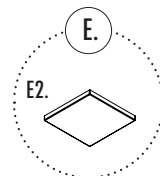
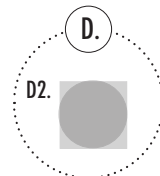
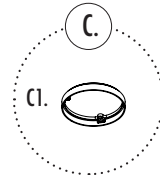
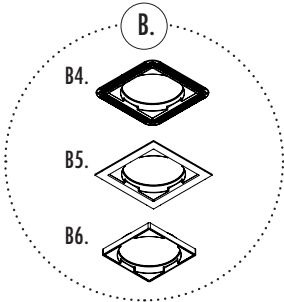
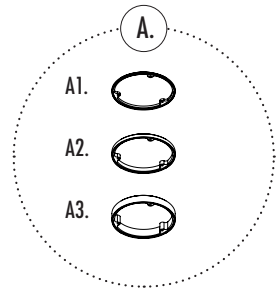
- B4. Square Invisible Trim: 5 1/8 in. (130 mm) Width
- B5. Square Flanged Trim: 4 7/8 in. (124 mm) Width
- B6. Square Flush Trim: 3 15/16 in. (100 mm) Width

### C1. MRM ADAPTER RING FOR SQUARE TRIM ATTACHMENT

Required for Square Trim Ring Installation:  
3 3/4 in. (95 mm) Diameter

### D2. SQUARE PLACEHOLDER SPONGE

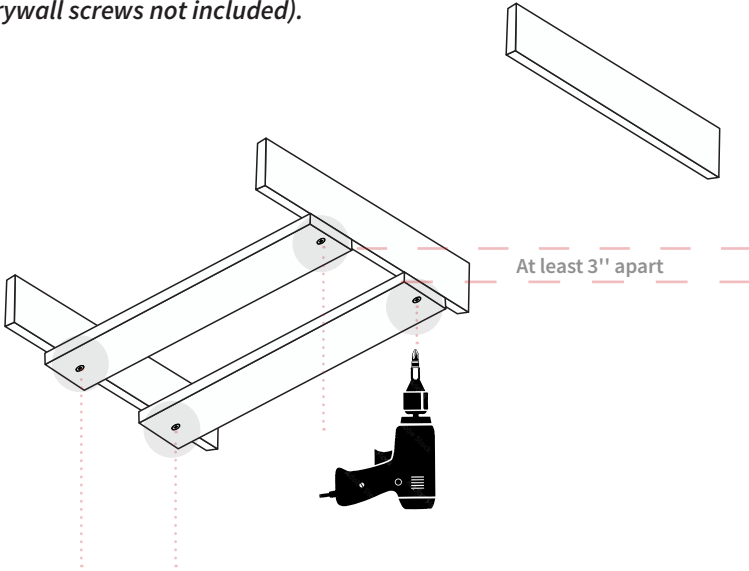
### E2. SQUARE GRILLE



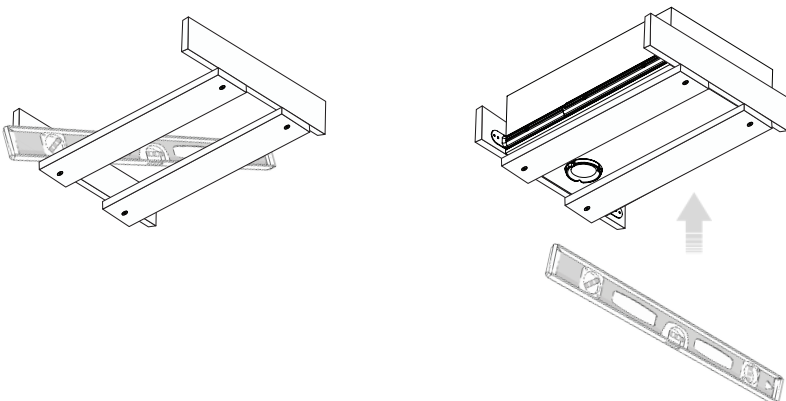
## 8. MOS36SUB Mounting Steps

### A. Mount temporary holders to ceiling joists.

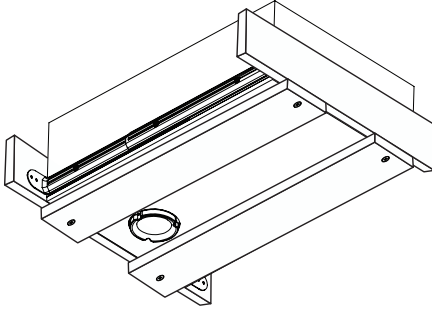
Cut a couple of 2" x 4"s or 1" x 4"s, a few inches wider than the ceiling joists. Then with a couple of drywall screws, mount the temporary holders to the joists. *(Drywall screws not included).*



These temporary holders will help you hold up the MOS36SUB and make the speaker mount flush to the future drywall. Using a level, check that your temporary holders are evenly level, adjusting as needed.



## B. Adjust the rails, as necessary, to fit ceiling joists.

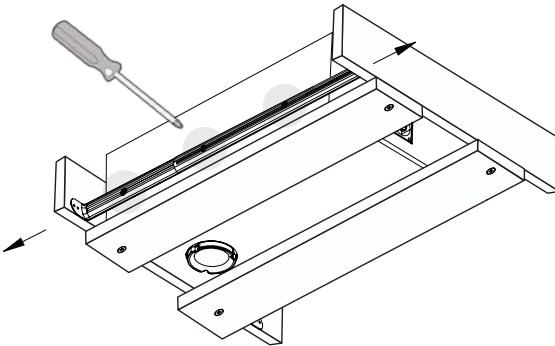


Place MOS36SUB in desired final location.

**Ensure the rail ends are turned outwards.**

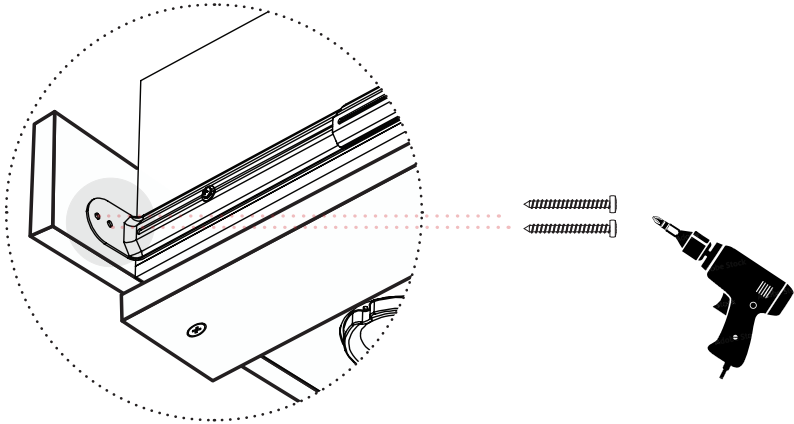
Then, using a Phillips screwdriver, loosen the screws on each side of the system rails, and extend them so they reach the ceiling joists. Afterwards, make sure to re-tighten screws once the rail length matches the ceiling joists.

**NOTE:** The cabinet also has screw openings on the short sides so you can move the rails from the long side to the short sides for tight space installations.

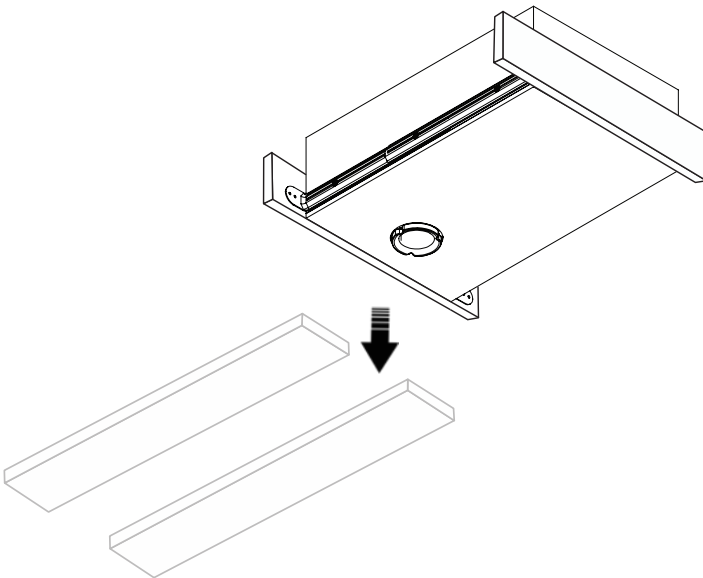


### C. Securely fix the rail brackets to the joists.

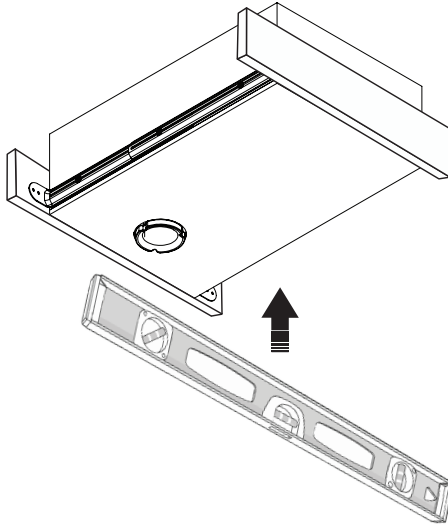
Use a drill and the included screws. Ensure each the screws on each side of the rails are evenly inserted, for a level positioning.



### D. Remove the temporary wood supports from the joists.

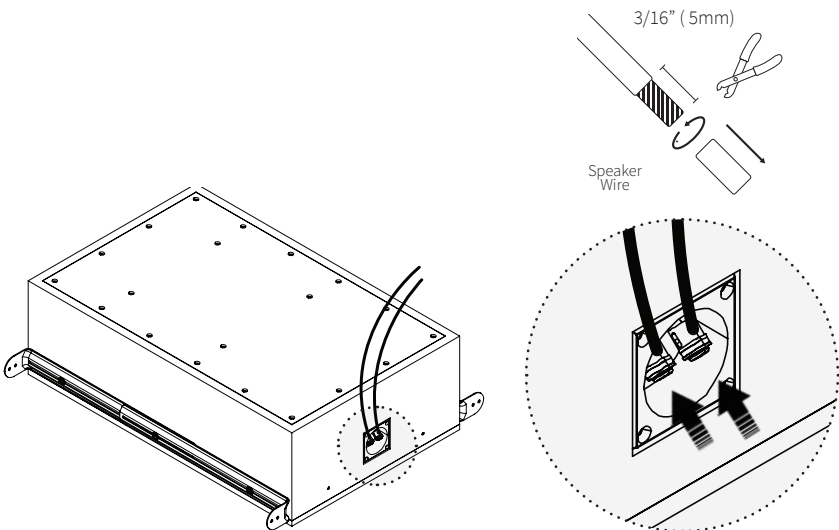


## E. Ensure the face of the speaker is plumb with the joists.



## F. Speake wire connection:

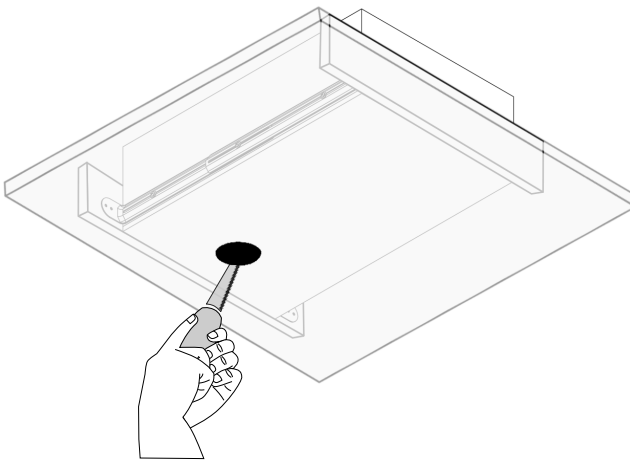
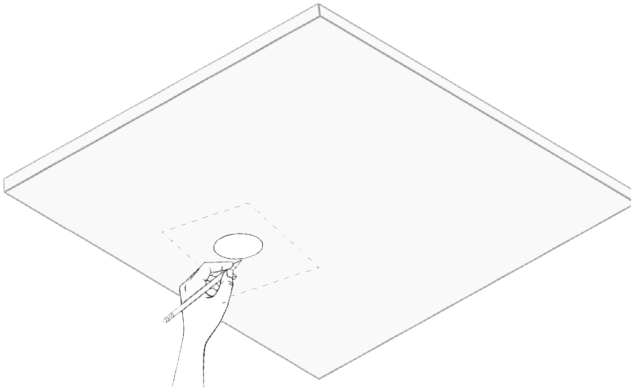
To connect the speaker wire, strip approximately 3/16" (5mm) of the insulation off each wire, and to avoid stray strands, twist them at the end. To connect the ceiling speaker wire to the Terminal Connector on the Subwoofer module, push down on each connector, and insert each wire into the opening with the correct polarity.



## G. Cut-Out Steps:

Use the cut-out template to mark the cut-out for the Trim Ring on the drywall/ surface material.

Trace along the inside of the Cut-Out Template, then use a keyhole or drywall saw to cut out the hole.

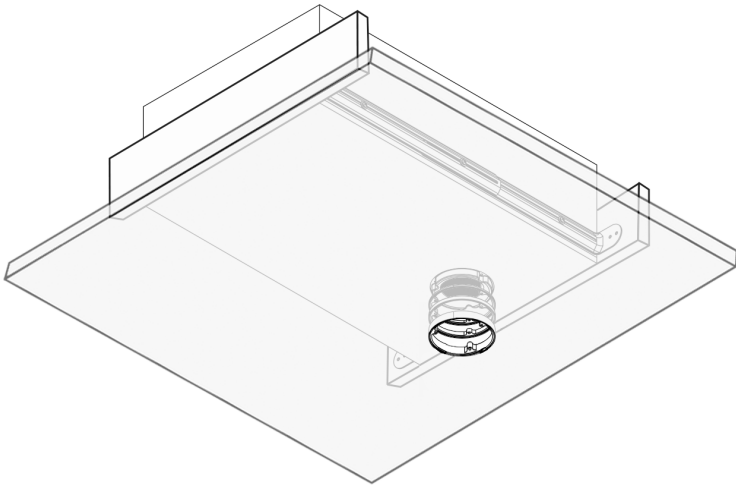




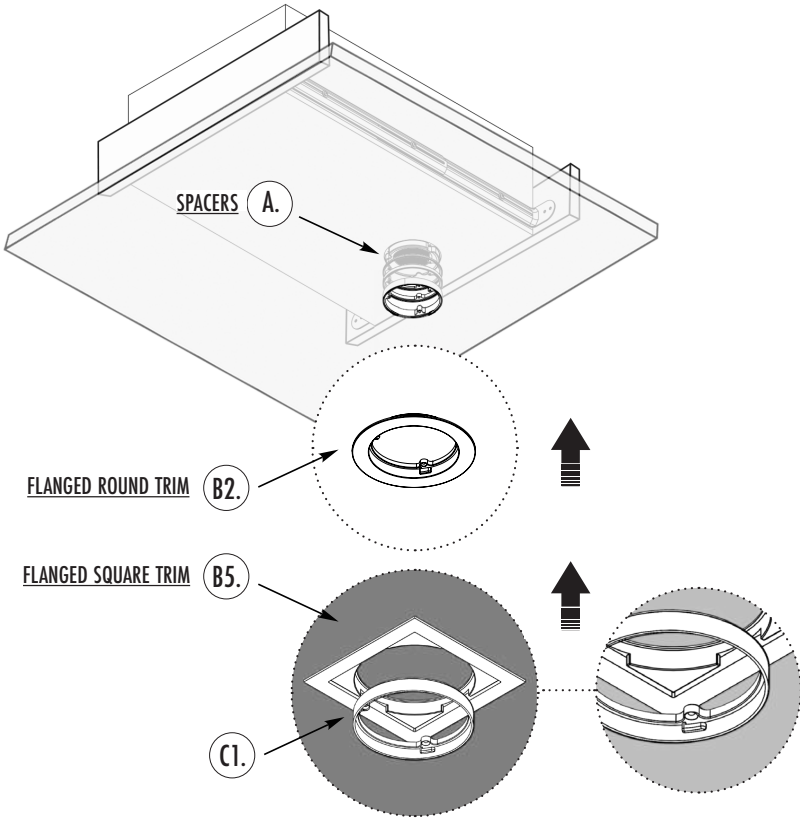
## H. Installing Flanged or Flush Trims:

The Flanged and Flush trims can be added to the cut out, without drywalling over. If the Port Tube cover does not reach the edge of the drywall, or if using sheetrock that is thicker than ½”, attach the appropriate number of spacers, according to the depth of the drywall ceiling, for the trim to fit.

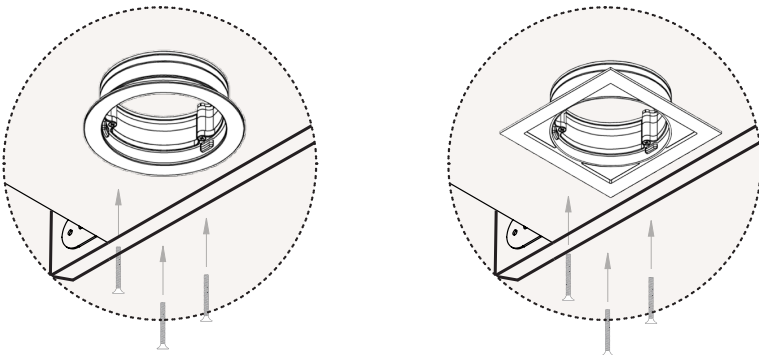
**NOTE:** If using a square trim, place the MRM Adapter Ring (Piece: C1) inside, with the Screw Holes facing towards the Port-Tube, and screw into the remaining Spacers and Subwoofer Enclosure as normal.



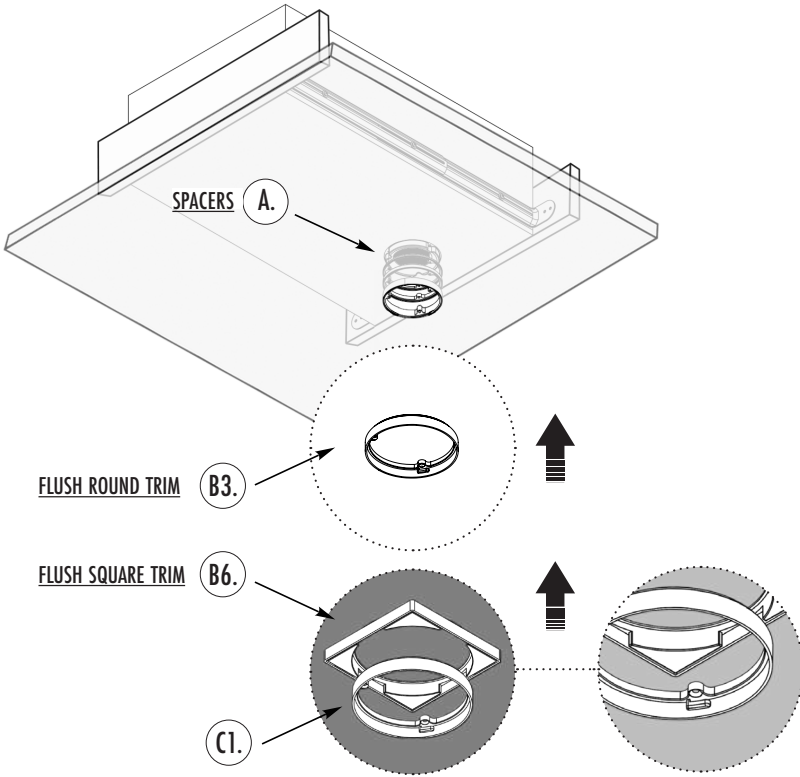
• Installing Flanged Trim



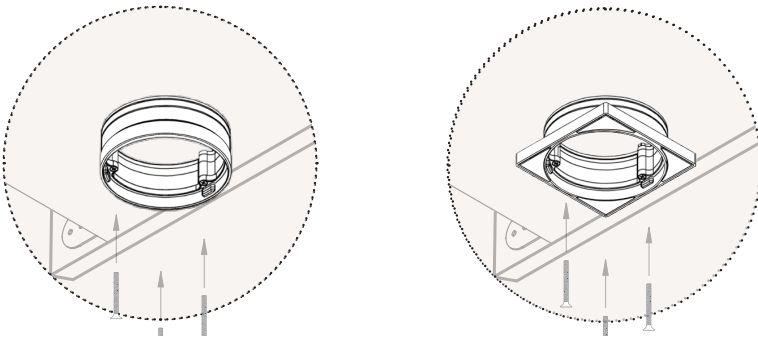
Then, install the desired trim ring over the spacers and secure the trim ring into all spacers & subwoofer enclosure, using the 3 included Trim Ring Screws.



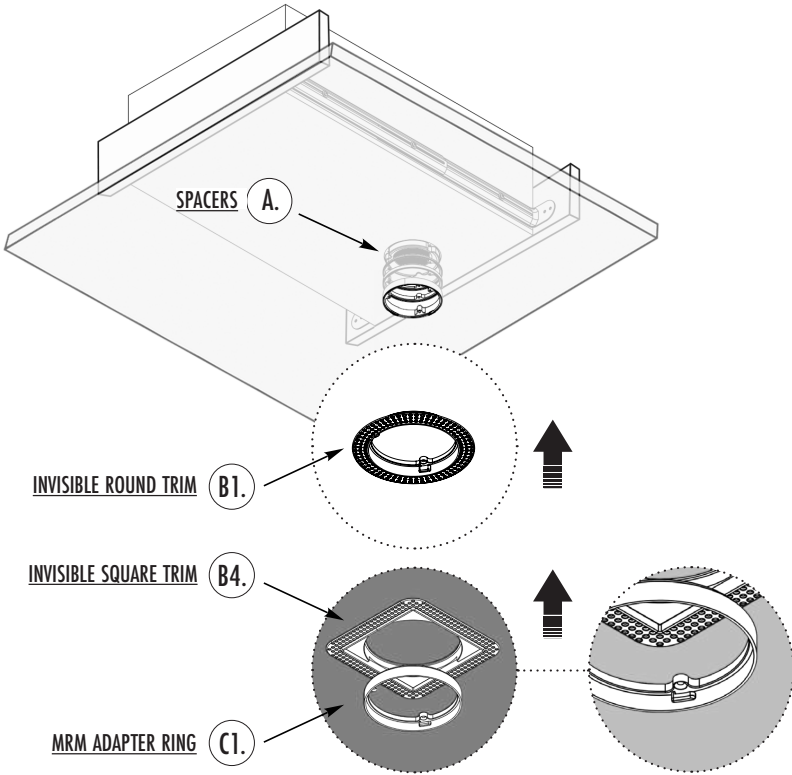
## • Installing Flush Trim



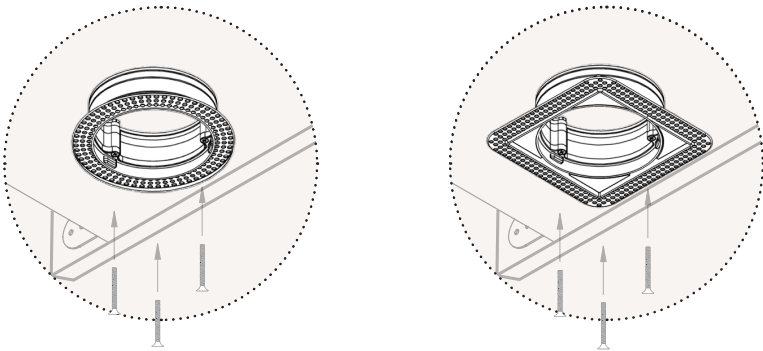
Then, install the desired trim ring over the spacers and secure the trim ring into all spacers & subwoofer enclosure, using the 3 included Trim Ring Screws.



## I. Installing Invisible Trims



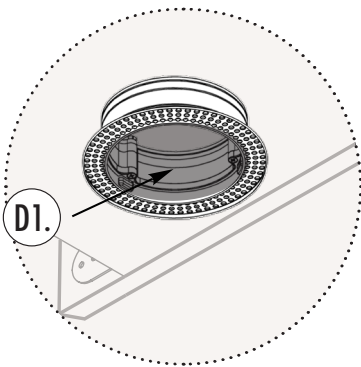
Then, install the desired trim ring over the spacers and secure the trim ring into all spacers & subwoofer enclosure, using the 3 included Trim Ring Screws.



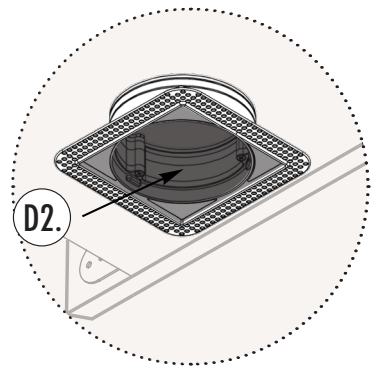
## NOTE: Testing the Subwoofer:

It is best to test the unit, before plaster work is performed. Securely connect the wires from the MOS36SUB to the amp, for a sound test.

Next, before installing the drywall over the Invisible Trim, place the correct Placeholder Sponge inside, to protect the cut-out hole & port tube from any debris during the drywalling process.

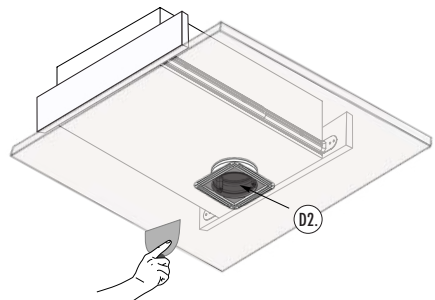
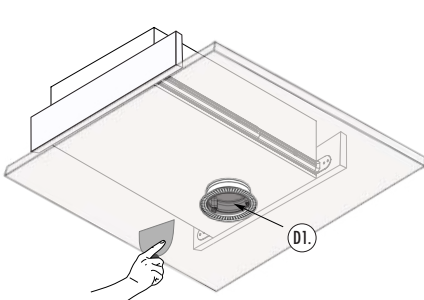


**ROUND PLACEHOLDER SPONGE**



**SQUARE PLACEHOLDER SPONGE**

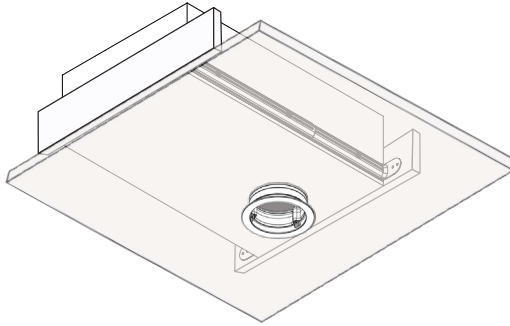
Apply the drywall/ surface material, plaster & paint, over the invisible trim, using mesh tape to cover any installation seams. Apply joint compound and level out compound to conceal seams. Make sure to mud up to the rim of the trim ring spacer. Then remove the Placeholder Sponge.



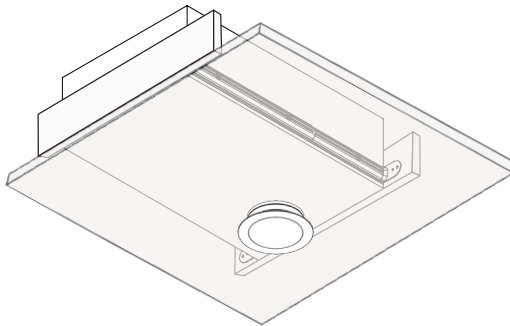
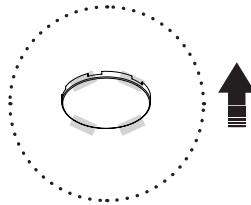
## J. Adding the Grille:

To complete the installation, use the pieces of included adhesive tack, to secure the press grille in place. The grille can be spray painted to better match the ceiling color and environment, prior to being attached.

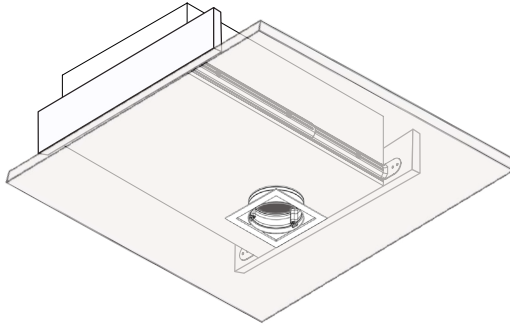
### ROUND TRIM



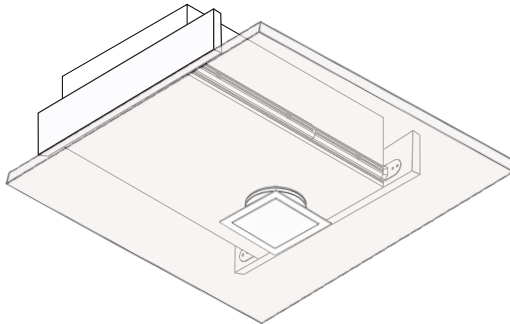
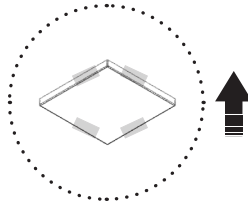
ROUND GRILLE  
GRILLE ADHESIVE



## SQUARE TRIM



SQUARE GRILLE  
GRILLE ADHESIVE



## 9. Troubleshooting

If possible, it's often good to try to isolate the problem first. For example, if you're playing a DVD on a television and there's no sound, try connecting an MP3 player to the system to see if that works. If it does work, then the problem is with the television, DVD player, or the cables connecting them. If it doesn't work, the problem will be with the amplifier, speakers, or those cables.

Problem	Possible Cause
<b>No Sound</b>	The volume may be turned down or muted. Check the volume settings on both the amplifier and the television/computer/CD player/etc.
<b>No Sound</b>	Make sure the proper source is selected on the amplifier or receiver.
<b>No Sound</b>	Check the cord connecting the amplifier with the source. The cord may be damaged or plugged into the wrong input or output.
<b>No Sound</b>	Check the wires connecting the amplifier with the speakers. Make sure they're connected properly and not damaged in any way.
<b>Poor Sound Quality</b>	If you hear something like static, or the sound is cutting in and out, check the audio cables. If the problem increases when a cable is being moved, then the cable is most likely faulty or not connected properly.
<b>Poor Sound Quality</b>	Today's audio systems may have several places to adjust the volume, for example your MP3 player may have a volume control, and your amplifier may also have one. Check to be certain that the volume isn't turned up past 80% on any device.
<b>Poor Sound Quality</b>	Try changing sources to be certain that the selection you've chosen is a good quality recording.



## **10. Technical Assistance**

If you have any questions or concerns about installing or using this product, you can reach us through one of the following methods:

**Phone: (844) 674-4461**

**Hours of operation: 8:00am - 5:00pm (Pacific Time), Mon - Fri**

**Email: [sales@originacoustics.com](mailto:sales@originacoustics.com)**

If you are having technical trouble, please include the model number and briefly explain what steps you took to resolve the problem in your email, or be prepared to answer these questions over the phone. If you are considering returning the product, it's required that you contact Origin Acoustics prior to any return attempts. This way we can determine if the issue can be resolved without returning the product, or if needed we can provide instructions and support for the return process.

## **11. Warranty Coverage - 5 Year Limited Warranty**

Origin Acoustics warrants to the original retail purchaser only that for a period of Five (5) years from the original date of purchase. This Origin Acoustics product will be free from defects in materials and workmanship, provided the speaker was purchased from an Origin Acoustics authorized dealer.

If the product is determined to be defective, it will be repaired or replaced at Origin Acoustics' discretion. If the product must be replaced yet it is no longer manufactured, it will be replaced with a model of equal to or greater value that is the most similar to the original. If this is the case, installing the replacement model may require mounting modifications; Origin Acoustics will not be responsible for any such related costs.

### **Requirements & Warranty Coverage**

This warranty may not be valid if the product was purchased through an unauthorized dealer. This warranty only applies to the individual that made the original purchase, and it cannot be applied to other purchases. The purchaser must be prepared to provide proof of purchase (receipt). This warranty will not be valid if the identifying number or serial number has been removed, defaced, or altered.

**\*All warranties and warranty conditions are subject to change. Please refer to [www.originacoustics.com](http://www.originacoustics.com) for the latest information.**

## **Not Covered by Warranty**

- Accidental damage
- Damage caused by abuse or misuse
- Damage caused by attempted repairs/modifications by anyone other than Origin Acoustics or an authorized dealer
- Damage caused by improper installation
- Normal wear, maintenance, and environmental issues
- Damage caused by voltage inputs in excess of the rated maximum of the unit
- Damage inflicted during the return shipment

## **12. Return Process**

Before making any return attempts, it is required that you first contact Origin Acoustics. Return product to Origin Acoustics or your dealer, either in person or by mail. It's preferable if the product is returned in the original packaging. If this isn't possible, the customer is responsible for insuring the shipment for the full value of the product.

This warranty is in lieu of all other expressed or implied warranties. Some states do not allow limitations on implied warranties, so this may not apply depending on the customer's location. (For more information, see Magnuson-Moss Warranty Act.)



03-23-23

6975 S Decatur BLVD, Las Vegas, NV 89118 • [www.originacoustics.com](http://www.originacoustics.com) • 844-674-4461

©2023 Origin Acoustics. All copyrighted, trademarked and patented elements mentioned herein are the sole property of Origin Acoustics.