



PROFESSIONAL SURFACE MOUNT SPEAKERS

PRICE & PERFORMANCE

These commercial on-wall loudspeakers are designed to have excellent sound quality, longevity, and a simple installation process. To ensure these on-walls are always ideally aimed towards the action, they can be orientated as desired. Better yet, they're IPX4 rated for toughness, feature high-resolution aluminum tweeters, and are available in black or white finishes.

PRODUCT ID



PS80

PS60

PS50



PROFESSIONAL SURFACE MOUNT SPEAKERS



SPECIFICATIONS

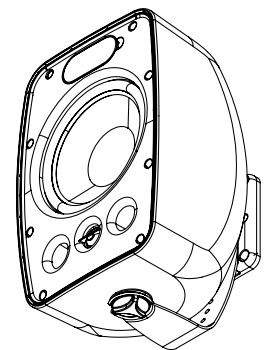
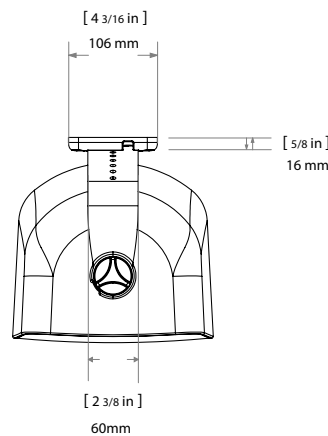
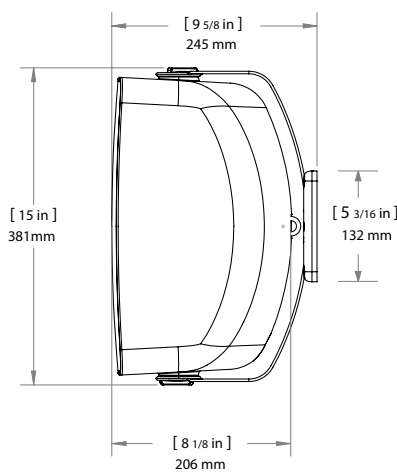
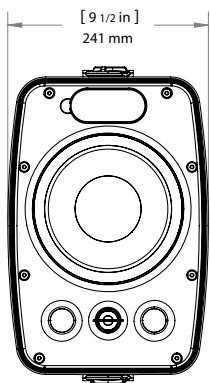
PS80

PS60

PS50

Part	SSP80000B, SSP80000W	SSP60000B, SSP60000W	SSP50000B, SSP50000W
Woofer	8" IMPP	6 1/2" IMPP	5 1/4" IMPP
Tweeter	1" Aluminum	1" Aluminum	1" Aluminum
Power Handling (Program Power)	120 Watts	80 Watts	60 Watts
Power Handling (Cont. Pink Noise)	60 Watts	40 Watts	30 Watts
Frequency Response	(- 10dB) 42Hz-20kHz (- 3dB) 58Hz-20kHz	(- 10dB) 45Hz-20kHz (- 3dB) 65Hz-20kHz	(- 10dB) 55Hz-20kHz (- 3dB) 74Hz-20kHz
Nominal Coverage Angle	70° Horizontal, 70° Vertical	100° Horizontal, 50° Vertical	100° Horizontal, 50° Vertical
Sensitivity @1m	92dB	92dB	89dB
Rated Maximum SPL	107dB	106dB	105dB
Impedance	8 ohm / 70V	8 ohm / 70V	8 ohm / 70V
Transformer Taps	70V - 80W, 40W, 20W, 10W 100V - 80W, 40W, 20W	70V - 60W, 30W, 15W, 7.5W 100V - 60W, 30W, 15W	70V - 30W, 15W, 7.5W, 3.75W 100V - 30W, 15W, 7.5W
Dimensions	9 1/2" W x 15" H x 9 5/8" D 241 W x 381 H x 245 D mm 14" H (355 mm) without bracket	7 7/8" W x 13 1/4" H x 8 3/16" D (200 W x 336 H x 208 D mm) 12 1/4" H (311 mm) without bracket	6 3/4" W x 11" H x 7" D (171 W x 279 H x 178 D mm) 10" H (254 mm) without bracket
Colors	Black/ White	Black/ White	Black/ White

LINE DRAWINGS



PS80

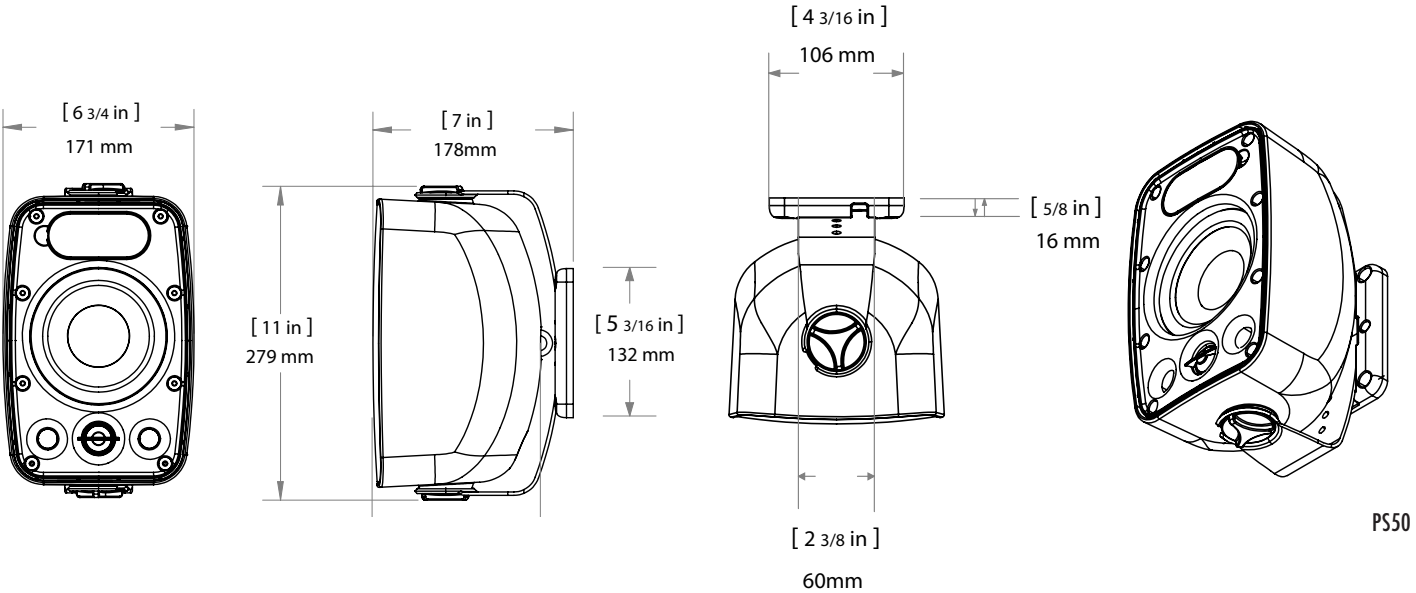
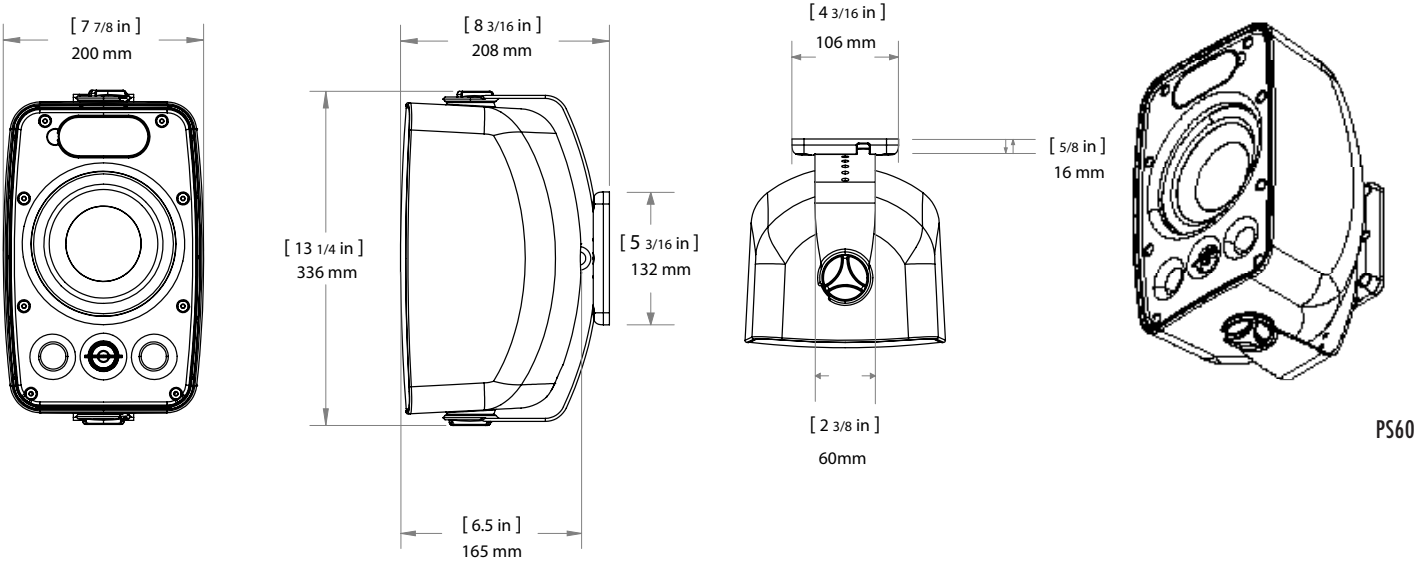


Please see docs.originacoustics.com for most the most updated information concerning these specifications. Products may only be purchased through an authorized integration partner.

PROFESSIONAL SURFACE MOUNT SPEAKERS



LINE DRAWINGS



Please see docs.originacoustics.com for most the most updated information concerning these specifications. Products may only be purchased through an authorized integration partner.

PROFESSIONAL SURFACE MOUNT SPEAKERS



SAFETY AGENCY COMPLIANCE



Origin Acoustics Professional Collection Surface Mount Speaker models PS80B/ PS80W, PS60B/ PS60W, PS50B/ PS50W meet the following standards:

UL 1480A: Standard for Speakers for Commercial and Professional Use

IEC 60529: IPX4 Rated

UL 1480A: Standard for Speakers for Commercial and Professional Use

Scope:

1.1 These requirements cover speakers for indoor and/or outdoor use in dry, damp, wet, or underwater locations and are intended for one or more of the following:

- a) Commercial and professional audio systems providing non-emergency sound reinforcement and reproduction in accordance with the National Electrical Code, NFPA 70 (this includes equipment for institutional, industrial use);
- b) Non-fire emergency voice-warning systems in accordance with NFPA 70; examples of non-fire emergency-warning systems include, but are not limited to:
 - 1) Critical process monitoring (nuclear plant, oil refinery, hazardous chemical processing);
 - 2) Distress alert systems (help for handicapped, for life safety, for rape, for robbery);
 - 3) Crowd control in public places (sporting arena, theater, shopping mall, transportation center); and
 - 4) Non-fire emergency voice-systems covered by the Life Safety Code, NFPA 101.
- c) Underwater speakers in accordance with Article 680 of NFPA 70. An underwater speaker is not to be used in a fire alarm system or as an emergency (non-fire) voice-warning system.

1.2 These requirements do not cover the following:

- a) Speakers intended for use in hazardous locations as defined in the National Electrical Code, NFPA 70; this includes speakers tested with the requirements in the Standard for Explosion-Proof and Dust-Ignition-Proof Electrical Equipment For Use In Hazardous (Classified) Locations, UL 1203;
- b) Speakers intended for personal or private consumer use; this includes speakers for household/domestic use covered by the requirements in the Standard for Audio-Video Products and Accessories, UL 1492 and the Standard for Audio/Video and Musical Instrument Apparatus for Household, Commercial, and Similar General Use, UL 6500;
- c) Speakers which are intended for commercial or professional audio applications and which employ integral active electronics; these products are covered in the Standard for Commercial Audio Equipment, UL 813; the Standard for Professional Video and Audio Equipment, UL 1419; and the commercial audio amplifier applications covered in UL 6500; and
- d) Speakers intended for security applications; these products are covered in the Standard for Local Burglar Alarm Units and Systems, UL 609; and the Standard for Household Burglar-Alarm System Units, UL 1023.

1.3 Speakers intended for use with fire alarm systems are covered by Standard for Speakers for Fire Alarm and Signaling Systems, Including Accessories, UL 1480. Speakers with integral amplifiers must comply with the requirements in UL 1480 and the Standard for Amplifiers for Fire Protective Signaling Systems, UL 1711.

1.4 Speakers intended for use with emergency and non-emergency systems and having integral amplifiers must comply with this standard in addition to the requirements in the Standard for General-Purpose Signaling Devices and Systems, UL 2017.

PROFESSIONAL SURFACE MOUNT SPEAKERS



SAFETY AGENCY COMPLIANCE



1.5 Speakers intended for use in air-handling spaces in accordance with Installation of Air Conditioning and Ventilating Systems, NFPA 90A, shall comply with the requirements in this standard and the requirements in the Standard for Fire Test for Heat and Visible Smoke Release for Discrete Products and Their Accessories Installed in Air-Handling Spaces, UL 2043.

IEC 60529: IPX4 Rated

This standard applies to the classification of degrees of protection provided by enclosures for electrical equipment with a rated voltage not exceeding 72,5 kV.

Object: The object of this standard is to give:

a) Definitions for degrees of protection provided by enclosures of electrical equipment as regards:

- 1) protection of persons against access to hazardous parts inside the enclosure;
- 2) protection of the equipment inside the enclosure against ingress of solid foreign objects;
- 3) protection of the equipment inside the enclosure against harmful effects due to the ingress of water.

b) Designations for these degrees of protection.

c) Requirements for each designation.

d) Tests to be performed to verify that the enclosure meets the requirements of this standard.

It will remain the responsibility of individual technical committees to decide on the extent and manner in which, the classification is used in their standards and to define “enclosure” as it applies to their equipment. However, it is recommended that for a given classification the tests do not differ from those specified in this standard. If necessary, complementary requirements may be included in the relevant product standard. A guide for the details to be specified in relevant product standards is given in annex B.

For a particular type of equipment, a technical committee may specify different requirements provided that at least the same level of safety is ensured. This standard deals only with enclosures that are in all other respects suitable for their intended use as specified in the relevant product standard and which from the point of view of materials and workmanship ensure that the claimed degrees of protection are maintained under the normal conditions of use.

This standard is also applicable to empty enclosures provided that the general test requirements are met and that the selected degree of protection is suitable for the type of equipment to be protected.

PROFESSIONAL SURFACE MOUNT SPEAKERS



SAFETY AGENCY COMPLIANCE



Measures to protect both the enclosure and the equipment inside the enclosure against external influences or conditions such as

- mechanical impacts
- corrosion
- corrosive solvents (for example, cutting liquids)
- fungus
- vermin
- solar radiation
- icing
- moisture (for example, produced by condensation)
- explosive atmospheres

and the protection against contact with hazardous moving parts external to the enclosure (such as fans), are matters for the relevant product standard to be protected.

Barriers external to the enclosure and not attached to it and obstacles which have been provided solely for the safety of personnel are not considered as a part of the enclosure and are not dealt with in this standard.